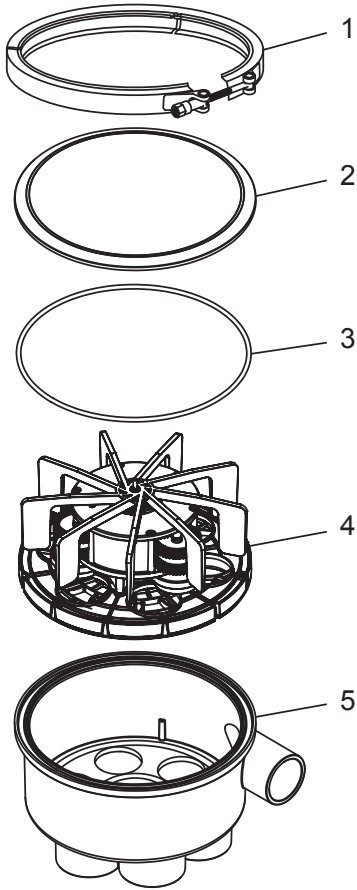
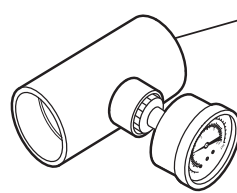


6-Port Valve Parts (Jandy® Revolution™)

Part No. WK000030



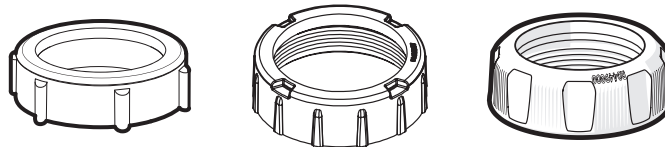
Key No.	Part No.	Description
1	WK000029	Band Clamp
2	WK000031	Lid
3	WK000032	O-Ring
4	WK000033	Cassette Assembly
5	WK000034	Body Housing, 2" Ports
6	WK000035*	Gauge Assembly 2"



*NOTE: Not included with WK000030. Only available as standalone part or included in Pre-Plumb Kit WK000036.

5-Port Valve Union Reference Guide

Part No.	4-1-2002	4-1-2003
Product Name	2" Union - No Cup Strainer	2" Union Complete, Black



Years in Use	1980-Present	2007-2014	2015-Present
Spec (inner diameter of slip fit)		2"	
Spec (thread to thread on tailpiece)	3 5/8"		3 3/8"
Replacement O-Ring (Qty 1)		WK000025	
Identifying Markings of Union	Blank, Polaris, CSI, 800 Phone Number, PVC Union		Hand Tighten Only
Valve Bottom Plate	1 1/2" Pipe		2" Pipe
Valve Compatibility for Bottom Ports	4-1-2002		4-1-2003
5-9-2000 5-Port Valve Complete 1 1/2"	X		
5-9-2200 5-Port Valve Complete 2"			X
5-9-2006 5-Port Replacement Valve 1 1/2"	X		
5-9-2026 5-Port Replacement Valve 2"			X
3-9-201 Top Housing w/ Adapter, No Gauge	X		
3-9-211 Top Housing w/ Adapter, No Gauge			X
Optional Multi-Use Tool (Part No. 3-17-15)	X		N/A (Hand Tighten Only)