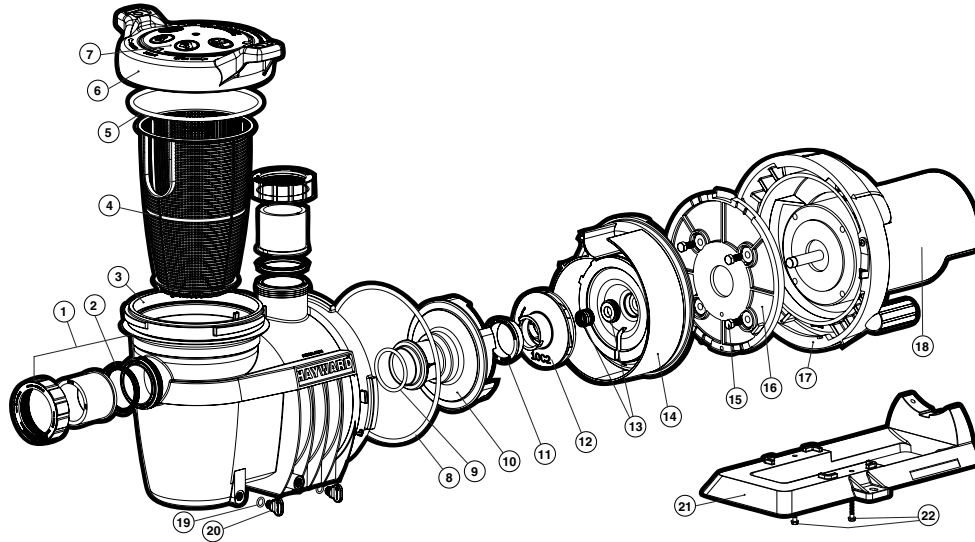


Parts for All Pump Models



Ref. No.	Part No.	Description	Ctn. Qty.
1	SPX3200UNKIT	Union Connector Kit (Includes 2 ea. Union Nut, Connector and Gasket) (2008 and later)	10
	SPX4000UNPAK1	Union Connector Kit (Includes 1 ea. Union Nut, Connector and Gasket) (2007 and Prior)	15
	SPX4000UNPAK2	Union Connector Kit (Includes 1 ea. Curved Union Connector, O-Ring and Nut) (2007 and Prior)	15
—	SPX4000HSGKIT	Housing Kit (Includes Union Connector Kit (#1), Pump Housing (#3), Strainer Basket (#4), Strainer Cover Kit (#6 & 7) and Drain Plug with O-Ring (#19 & 20))	1
2	SPX3200UG	Union Gasket (T-Seal), 50 Duro EPDM (2008 and later)	100
	SPX4000Z1	Union O-Ring (2007 and Prior)	50
3	SPX4020TP	Pump Housing, Threaded Port (2008 and later)	1
4	SPX4000M	Strainer Basket	2
5	SPX4000S	Strainer Cover O-Ring (2008 and later)	50
	SPX4000TS	Strainer Cover T-Ring (2003-2007)	50
	CX400G	Strainer Cover O-Ring (Prior to 2003)	10
	GMX600F	Pressure Test O-Ring (2007 and earlier)	100
6 & 7	SPX4000CLO	Strainer Cover Kit (Includes Strainer Cover, Lock Ring and O-Ring) (2008 and later)	4
	SPX4000DLT	Strainer Cover Kit (Includes Strainer Cover, Lock Ring and O-Ring) (2007 and Prior)	5
	SPX4000DLTB	Strainer Cover Kit for Biguanide Sanitizers (2007 and Prior NOT Pressure Testable)	7
8	SPX4000T	Seal Plate O-Ring	50
9	SPX4000Z1	Diffuser O-Ring	50
10	SPX4000B	Diffuser	5
11	SPX3021R	Impeller Ring	50
12	SPX4007CKIT	Impeller for 3/4 H.P. Full-Rate / 1 H.P. Max-Rate with Impeller Ring and Seal Assembly	5
	SPX4010CKIT	Impeller for 1 H.P. Full-Rate / 1 1/2 H.P. Max-Rate with Impeller Ring and Seal Assembly	5
	SPX4015CKIT	Impeller for 1 1/2 H.P. Full-Rate / 2 H.P. Max-Rate with Impeller Ring and Seal Assembly	5
	SPX4020CKIT	Impeller for 2 H.P. Full-Rate / 2 1/2 H.P. Max-Rate with Impeller Ring and Seal Assembly	5
	SPX4025CKIT	Impeller for 3 H.P. Max-Rate with Impeller Ring and Seal Assembly	5
	SPX4030CKIT	Impeller for 3 H.P. Full-Rate with Impeller Ring and Seal Assembly	5
13	SPX3200SA	Seal Assembly	10
14	SPX4000E	Seal Plate	2
15	SPX0125Z44	Motor Bolt	20
16	SPX4000F	Motor Mounting Plate	15
17	SPX4000K	Motor Lock Ring	1
18	SPX1605Z1BNS	Motor, 1/2 H.P. Full-Rate	1
	SPX1607Z1BNS	Motor, 3/4 H.P. Full-Rate	1
	SPX1607Z1MNS	Motor, 1 H.P. Max-Rate	1
	SPX1610Z1BNS	Motor, 1 H.P. Full-Rate	1
	SPX1610Z1MNS	Motor, 1 1/2 H.P. Max-Rate	1
	SPX1610Z2MNS	Motor, 1 1/2 H.P. Max-Rate, 2-Speed	1
	SPX1615Z1BNS	Motor, 1 1/2 H.P. Full-Rate	1
	SPX1615Z1MNS	Motor, 2 H.P. Max-Rate	1
	SPX1615Z2MNS	Motor, 2 H.P. Max-Rate, 2-Speed	1
	SPX1620Z1BNS	Motor, 2 H.P. Full-Rate	1
	SPX1620Z1MNS	Motor, 2 1/2 H.P. Max-Rate	1
	SPX1620Z2MNS	Motor, 2 1/2 H.P. Max-Rate, 2-Speed	1
	SPX1625Z1MNS	Motor, 3 H.P. Max-Rate	1
	SPX1630Z1BNS	Motor, 3 H.P. Full-Rate	1
19 & 20	SPX4000FG	Drain Plug with O-Ring	50
21 & 22	SPX4000GA	Mounting Base with (2) Cap Screws	5
	SPX1600Z52	Mounting Base Cap Screws (set of 2)	1

NOTE: For models prior to 2003, when replacing either the impeller or seal assembly, must purchase the impeller kit to replace both to ensure compatibility.