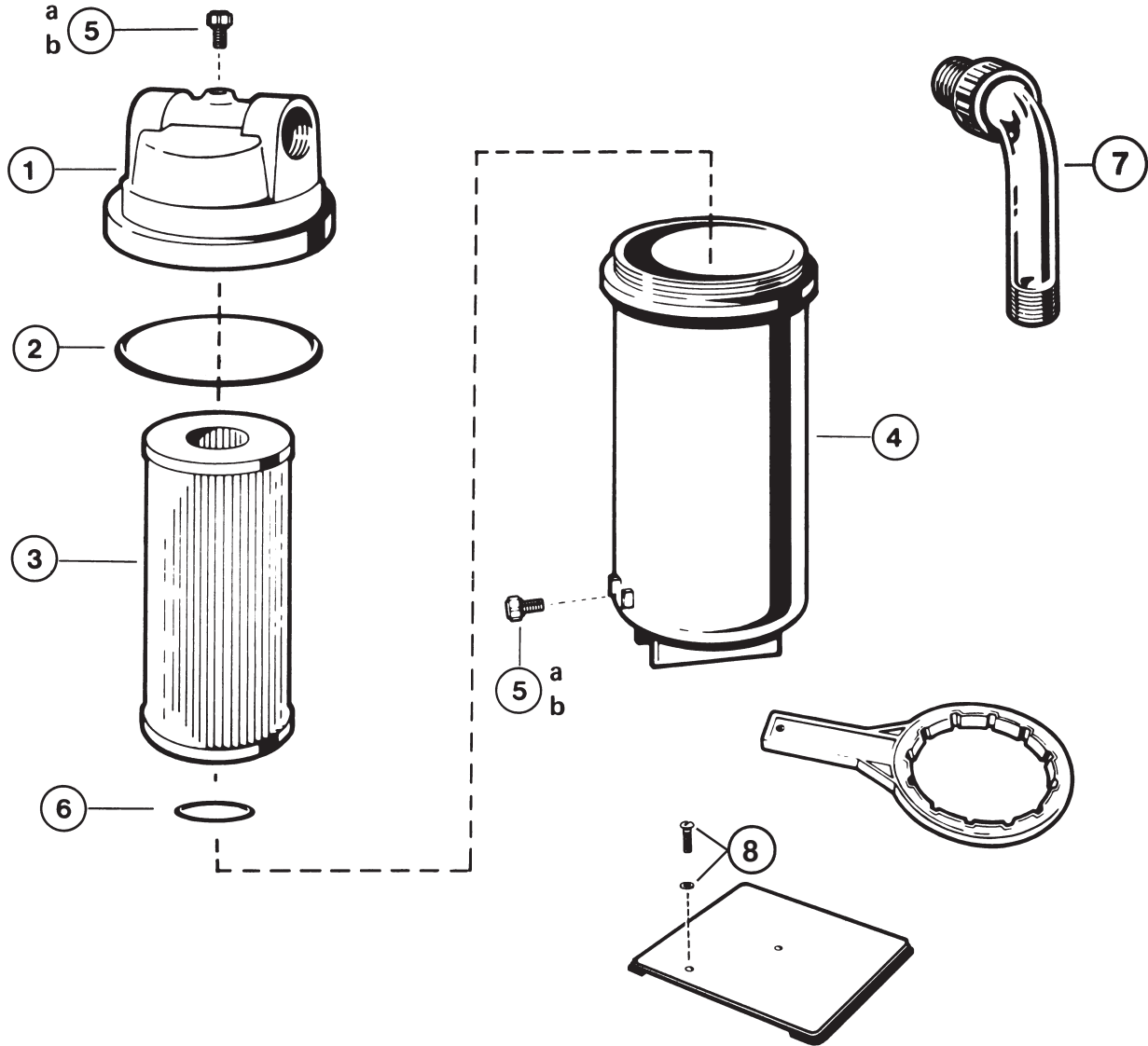


### Parts Diagram and Parts Listing



Ref. No.	Part No.	Description	Ctn. Qty.	No. Req'd
1	CX120AA	Filter Head with Vent Valve – 1 1/2" NPT	1	1
2	CX120D	O-Ring	100	1
3	CX225RE	Cartridge Element – 25 sq. ft. (C225)	12	1
4	CX120B	Filter Body Housing	1	1
5a	ECX1321A*	Air Relief Valve with O-Ring	—	2
5b	ECX1322A	Directional Vent Valve with O-Ring	20	1
—	CX250Z15	By-Pass Plug (Internal)	1	1
6	SPX1485C	Gasket	25	1
7	SPX1485BPAK	Threaded Elbow Union Assembly	10	1
—	S200KT	Wrench Tool for Body Housing (optional)	1	—
8	ECX1108A	Pump Mounting Screw with Washer	10	2

**NOTE:** \*Replace with ECX1322A.