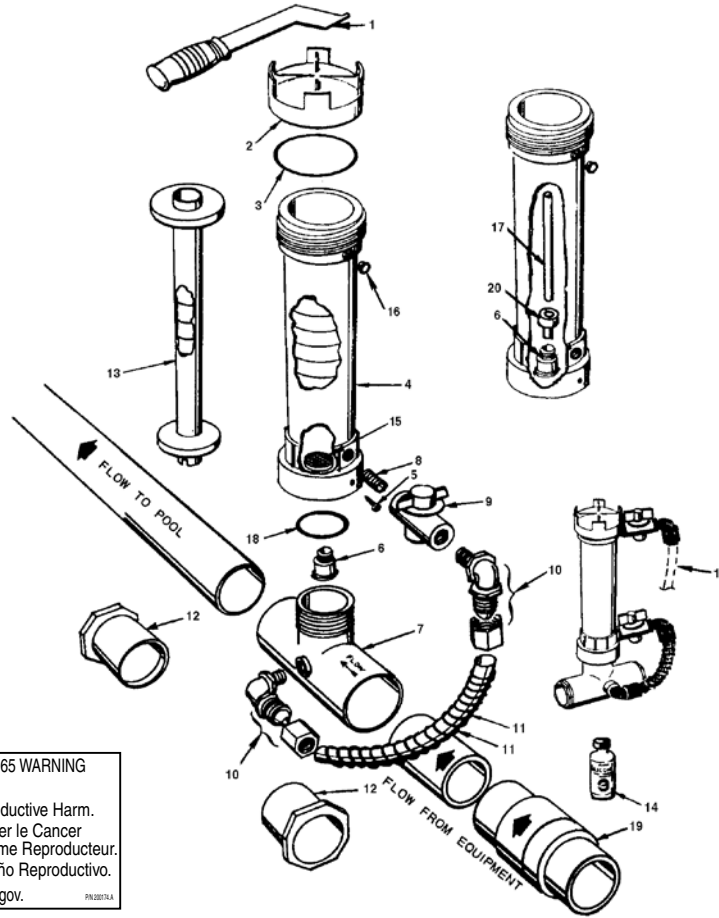


# AUTOMATIC FEEDER - MODEL 320

## REPLACEMENT PARTS



CALIFORNIA PROPOSITION 65 WARNING  
 ⚠️ **WARNING:** Cancer and Reproductive Harm.  
 ⚠️ **AVERTISSEMENT:** Peut Causer le Cancer et des Dommages au Système Reproducteur.  
 ⚠️ **ADVERTENCIA:** Cáncer y Daño Reproductivo.  
[www.p65warnings.ca.gov](http://www.p65warnings.ca.gov)

Item	Qty.	Part No.	Description
<b>Order No.: R171096</b>			
<b>Model No.:</b>		<b>320</b>	
<b>Description:</b>		<b>IN-LINE AUTOMATIC FEEDER</b>	
1	Opt.	R172052	Cap wrench
2	1	R172008W	3 in. threaded cap - white
3	1	R172009Z	O-ring, cap
4	1	R172321	#320 Body only (new style)
5	1	R01052	Lock screw
6	1	R172248Z	Check valve
7	1	R172317	Diverter tee 1-1/2 NPT x 2 in. slip
8	1	R172256Z	1/2 in. x Short MPT nipple
9	1	R172086Z	1/2 in. Control valve
10	2	R172272Z	1/2 in. NPT x tube 90° ELL w/nut
10	Opt.	R172274Z	Compression nut only (for R172272Z)

Item	Qty.	Part No.	Description
11	1	R172091	5/8 in. o.d. Short feeder tube
11	Opt.	R171097Z	Tube support spring
12	2	R172210	2 in. x 1-1/2 in. S x S bushing for 1-1/2 in. PVC only <sup>1</sup>
13	Opt.	R172037	Spa chamber
14	1	R172036Z	Silicone lubricant, 3/4 oz.
15	1	210396Z	Screen
16	1	R172134	1/2 in. NPT PVC plug
17	1	R172253Z	5/8 in. o.d. 18 in. tube (optional top feed)
18	1	R172319Z	Bottom O-ring
19	Opt.	R172288	1-1/2 in. Corrosion resistant check valve
20	1	R172048B	Standpipe adapter, Bromine

<sup>1</sup> Not used with 2 in. PVC.