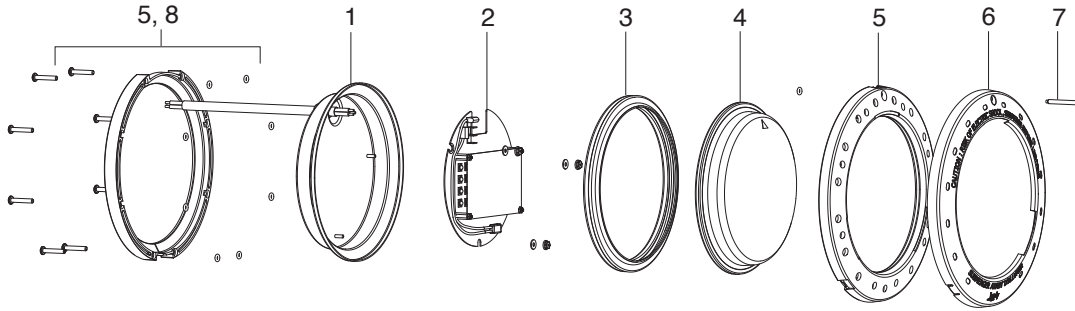


WaterColors Large (Pool) RGB LED Light (Discontinued)

Part No. CPHVLED Series, CPLVLED Series

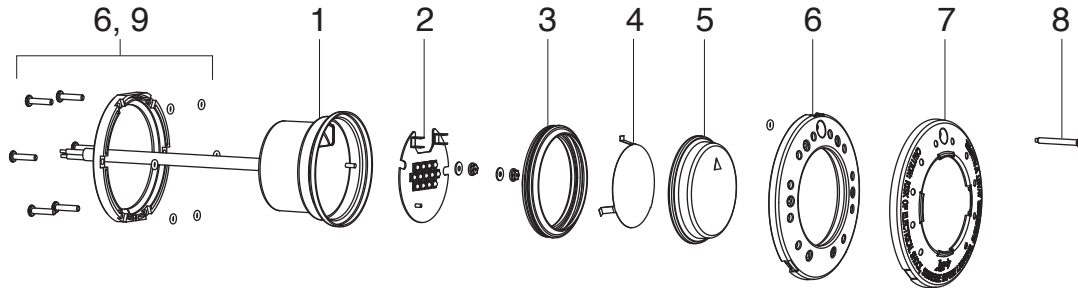


Key No.	Part No.	Description	Field Replaceable
1	N/A	Light Housing - Pool	Not Sold Separately
2	R0474100	PCB, LED Large Light Engine w/ Light Shaping Diverger, 120V	Yes
	R0474000	PCB, LED Large Light Engine w/ Light Shaping Diverger, 12V	Yes
3	R0790500	Silicone Gasket - Pool	Yes
4	R0450601	Glass Lens - Pool	Yes
5	R0450701	Clamp Assembly - Pool	Yes
6	R0450801	Face Ring, Stainless Steel - Pool	Yes
7	R0450901	Pilot Screw, w/ Retainer - Pool	Yes
8	R0451001	Clamp Screw Set (8 Screws and Retainers) - Pool	Yes

*When replacing LED PCB, we recommend replacement of the silicone gasket at the same time.

WaterColors Small (Spa) RGB LED Light (Discontinued)

Part No. CSHVLED Series, CSLVLED Series



Key No.	Part No.	Description	Field Replaceable
1	N/A	Spa Light Housing	Not Sold Separately
2	R0473900	PCB, LED Small Light Engine, 120V and 12V	Yes
3	R0400501	Silicone Gasket - Spa	Yes
4	R0474200	Light Shaping Diverger, Spa Only	Yes
5	R0400601	Glass Lens - Spa	Yes
6	R0451201	Clamp Assembly - Spa	Yes
7	R0451301	Face Ring, Stainless Steel - Spa	Yes
8	R0450901	Pilot Screw, w/ O-Ring - Spa	Yes
9	R0451401	Clamp Screw Set (6 Screws and Retainers) - Spa	Yes

*When replacing LED PCB, we recommend replacement of the silicone gasket at the same time.