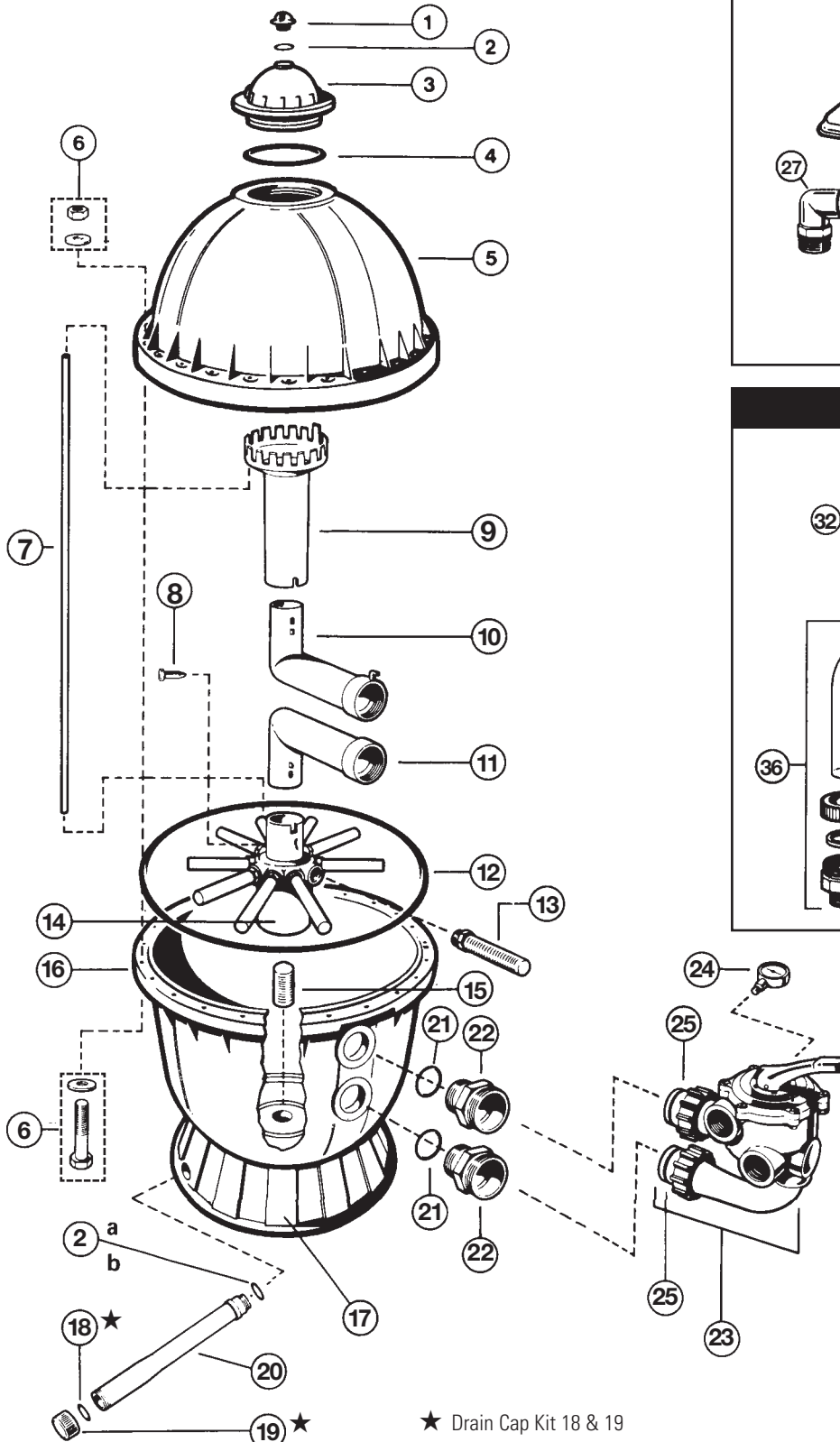


S200

SAND FILTER SERIES REPLACEMENT PARTS

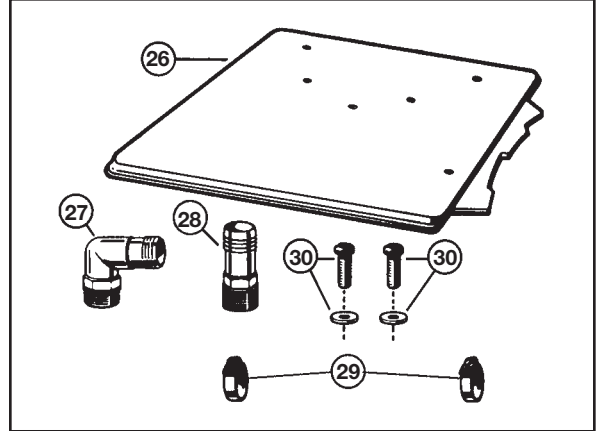
Parts Diagram

Filters

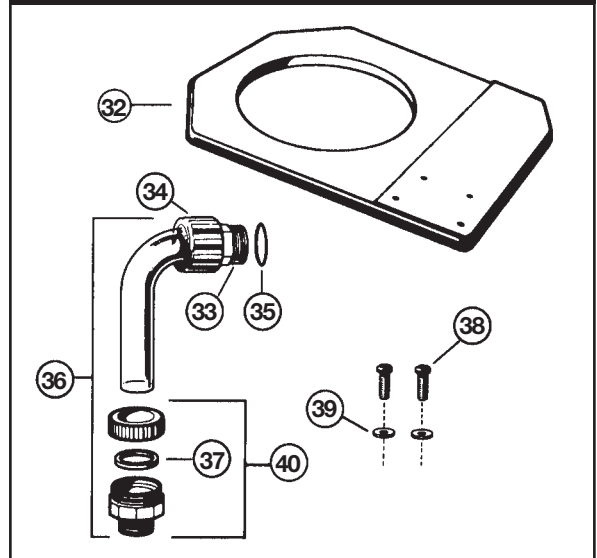


★ Drain Cap Kit 18 & 19

S200PAK 1



S200PAK 3 and System II



Folding Lateral Assembly

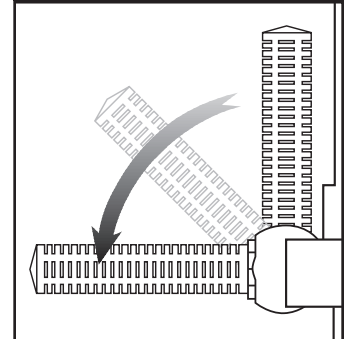


Diagram A

Parts Listing

Ref. No.	Part No.	Description	Ctn. Qty.	No. Req'd
1	SX200G	Manual Air Relief	10	1
2	SX200Z5	O-Ring	50	1
3	SX200K	Access Cover	5	1
4	SX200Z6	O-Ring	50	1
5	SX200BT	Filter Head (Taupe)	1	1
6	ECX1642A	Head Bolt Kit (Includes Hex Nut, Head Bolt and Washer)	20	1
7	SX200Z1	Plastic Air Tube	1	1
8	SX200Z2	Air Tube Lock Screw	10	1
9	SX200L	Top Diffuser	5	1
10	SX200C	Internal Diffuser Elbow Pipe (Top)	5	1
11	SX200C1	Internal Elbow Pipe (Bottom)	5	1
12	SX200Z7	O-Ring	10	1
13	SX200QNPAAK10	S200 Pivot/Ball Lateral (<i>Set of 10</i>)	10	1
14	SX202QA	Folding Lateral Assembly (See Diagram A)	1	1
15	SX200H	Bottom Screen	10	1
16	SX200AA1T	Filter Tank Bottom with Drain Assembly (Taupe)	1	1
17	SX200J	Filter Support Stand	1	1
18	SX200Z9	Gasket	25	1
19	SX200Z8A	Drain Cap Kit (Includes Cap and Gasket)	50	1
20	SX200EB	Drain Pipe Assembly (Includes Pipe, O-Ring, Cap and Gasket)	50	1
21	SX200Z3	O-Ring	50	2
22	SX200D	Bulkhead Fitting	5	2
23	SPX0710X32	Vari-Flo Control Valve Assembly – 1 1/2"	1	1
24	ECX270861	Pressure Gauge	50	1
25	SX200Z4PAK2	Valve/Union O-Ring (<i>Set of 2</i>)	25	1
—	S200KT	Dome Wrench	10	—

S200PAK 1

26	ECX1289	Standard Pump Mounting Base	1	1
27	SPX1105Z4	1 1/2" Elbow Hose Adapter	50	1
28	SPX1091Z2PAK2	1 1/2" Straight Hose Adapter (<i>Set of 2</i>)	10	1
29	ECX18028	Hose Clamp	25	2
30	ECX1161Z2	Mounting Screw Set with Washers	10	2

S200PAK 2, 3 and System II

32	ECX1291	Standard Pump/Filter Mounting Base	1	1
33	SPX1480A	Union Ball End	10	1
34	SPX1480C	Union Nut	10	1
35	SPX1425Z6	O-Ring	25	1
36	SPX1485B3	Union Elbow with Compression Assembly (does not include #34, 35)	10	1
37	SPX1485G	Compression Gasket	1	1
38	ECX1275	5/16" x 1 1/4" Mounting Screw	—	2
39	ECX1109	5/16" Washer	10	2
40	SPX1485DA	Compression Fitting Assembly with Gasket	25	1