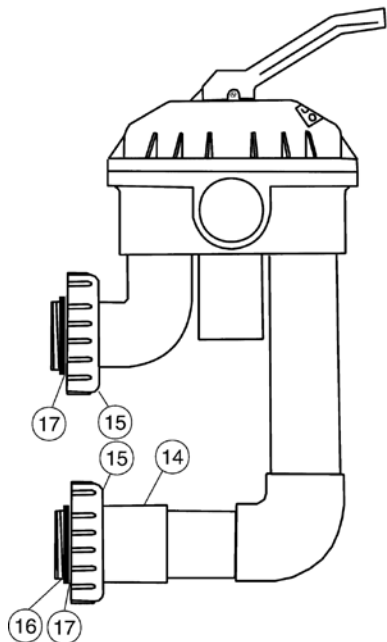
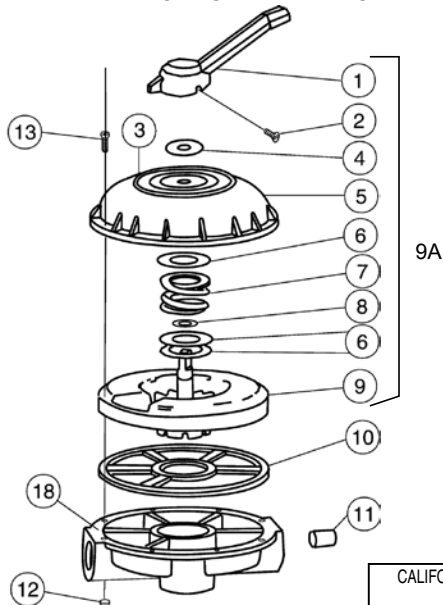


2 IN. HIFLOW™ VALVES

REPLACEMENT PARTS FOR VALVES



Valves
261049
261050
261142



CALIFORNIA PROPOSITION 65 WARNING
 ⚠️ **WARNING:** Cancer and Reproductive Harm.
 ⚠️ **AVERTISSEMENT:** Peut Causer le Cancer et des Dommages au Système Reproducteur.
 ⚠️ **ADVERTENCIA:** Cáncer y Daño Reproductivo.
www.p65warnings.ca.gov PR2019A

Item	Part No.	Description
2 IN. HIFLOW VALVES		
1	272520	Handle
2	272405	Screw - Handle
3	272120	Label
4	272402	Washer - Plastic
5	272412	Valve Top
6	271193	Washer - 18 GA., 2 req.
7	272400	Spring - Compression
8	JV18	O-ring Kit Bag
9	272413Z	Diverter
9A	272422	Valve top assy. ¹
10	272409	Seal - Diverter
11	154566	Sight Glass 2 in. clear
12	98211400	Nut 1/4 in.- 20 Hex, 8 req.
13	272403	Screw 1/4 in.- 20, 8 req.
15	274407	Nut - Bulkhead adapter, 2 req.
16	274426	Adapter - Union Kit
17	274494	O-ring - Bulkhead adapter, 2 req.
18	272433	Valve btm. 2 in. w/ gasket ²

¹ This part number includes items 1 thru 9.

² 272433 valve btm. 2 in. w/ gasket contains one each of: 272409 seal diverter and 272415 Plate 2 in. valve btm.