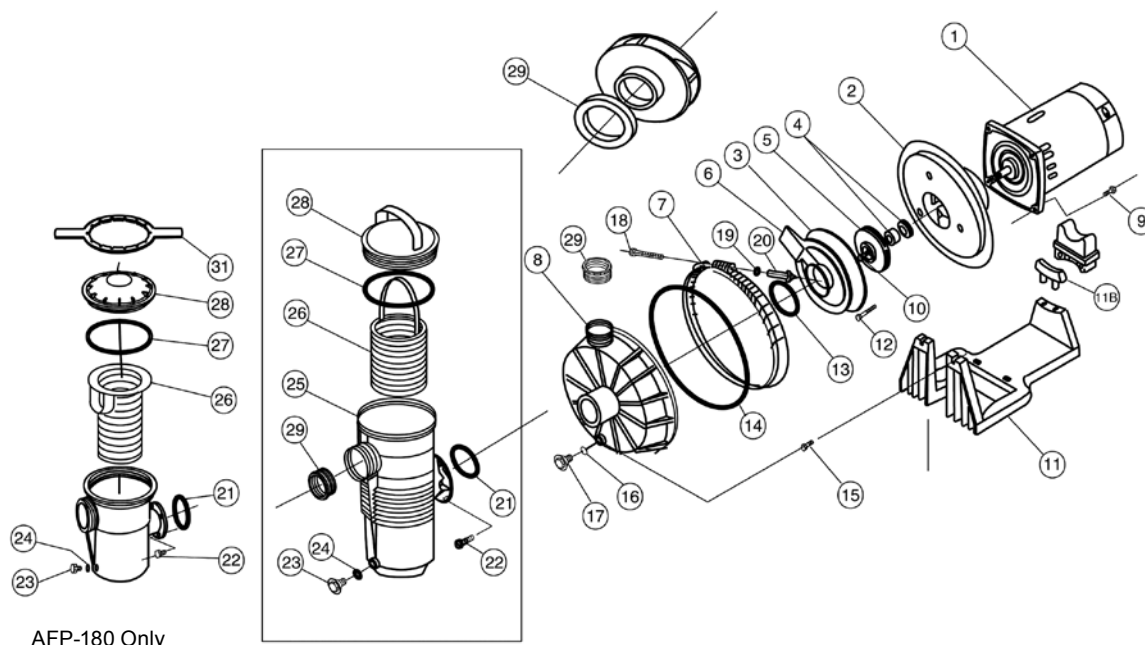


WATERFALL SPECIALTY PUMP

REPLACEMENT PARTS



AFP-180 Only

Item	Part No.	Description
WATERFALL PUMPS		
1	355218S	Motor, AF-75 & 120, AFP-75 & 120, 37 lbs.
1	355222S	Motor, AF-180, AFP-150 & 180, 35 lbs.
2	355004	Plate, seal
3	355317	Plate, mounting AF-75, AFP-75
3	355495	Plate, mounting AF-120 & 180, AFP-120, 150 & 180
4	354545S	Seal, 5/8 in. mechanical, PS 200
5	355544	Impeller AF-75, AFP-75
5	355068	Impeller AF-120, AFP-120
5	355221	Impeller AF-180, AFP-150 & 180
6	355545	Diffuser AF-75, AFP-75
6	355069	Diffuser AF-120, AFP-120
6	355140	Diffuser AF-180, AFP-150 & 180
7	355320	Band, clamp assembly complete
8	355302	Housing, front
9	U30-74SS	Screw, 3/8 in.-16 SS hex hd., 4 req.
10	355389	Screw, impeller locking
11	355305	Base, pump ¹
11B	355385	Adapter, 5-5/8 in. dia. motor ²
12	355334Z	Screw, No. 8-32 x 1 in. AF-75 & 120, AFP-75 & 120, 3 req.
12	355141	Screw, No. 8-32 x 1-1/2 in. AF-180, AFP-150 & 180
13	355331Z	O-ring, diffuser
14	355329Z	O-ring, front housing
15	355335	Screw, 5/16, 18 x 1/2 in. SS hex wsh. hd., (AF models only)
16	192115Z	O-ring, drain plug
17	154699	Plug, 1/2 in. drain
20	175025	Knob (fits clamp w/ captured T-bolt only)
21	355330	O-ring, strainer pot flange

Item	Part No.	Description
22	354265	Screw, 5/16 in., 18 hex wsh. hd., 4 req.
23	357161Z	Plug, 1/4 in. drain
24	192115Z	O-ring, drain plug
25	355300	Strainer pot AFP-75, AFP-120 & 150
26	355318Z	Basket, plastic strainer AFP-75 & 120
26	355441	Basket, SS strainer AFP-150
26	355901	Basket, SS strainer AFP-180
27	350013Z	O-ring, lid AFP-75, AFP-120 & 150
27	152509Z	Seal, lid AFP-180
28	355301	Lid, strainer pot AFP-75, AFP-120 & 150
28	355902	Lid, strainer pot AFP-180
29	355142	Bushing, impeller nose AF-180, AFP-150 & 180
31	154527	Wrench, 8-1/2 in., strainer pot AFP-180
NOT SHOWN		
	355914	Lid strainer pot AFP-75, AFP-120 & 150 Chemical resistant black lid

¹ Pump base (item 11) includes dual radius motor support.

² Item 11A, motor support is a replacement part that fits only older style pump bases with rectangular opening.

Note: Pumps and replacement motors that are single speed and one (1) Total HP or greater cannot be sold, offered for sale, or installed in a residential pool for filtration use in California, Title 20 CCR sections 1601-1609.

CALIFORNIA PROPOSITION 65 WARNING

⚠️ **WARNING:** Cancer and Reproductive Harm.
 ⚠️ **AVERTISSEMENT:** Peut Causer le Cancer et des Dommages au Système Reproducteur.
 ⚠️ **ADVERTENCIA:** Cáncer y Daño Reproductivo.

www.p65warnings.ca.gov. PN20071A

Product on pages 184–185.

Replacement baskets on page 150.