

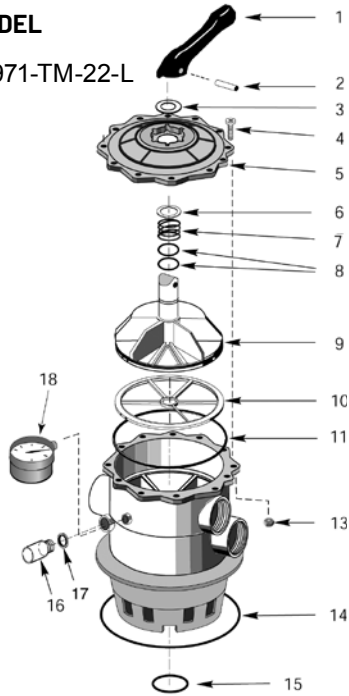
MULTIPOINT 2 IN. VALVES

REPLACEMENT PARTS FOR STA-RITE VALVES



MODEL

14971-TM-22-L



Item	Part No.	Description
MULTIPOINT 2 IN. VALVE		
1	14971-SM10E1	Handle (ABS)
2	14971-SM10E2	Pin (S.S. 304)
3	14971-SM10E3	Washer
4	14971-SM10E4	Screw (S.S. 304)
5	14971-SM20E6	Valve Cover (ABS)
6	14971-SM10E8	Washer
7	14971-SM10E9	Spring (S.S. 304)
8	14971-SM10E10	O-Ring (Mitrile)
9	14971-SM20E11	Plug & Gasket Assembly
10	14971-SM20E12	Gasket (Kratom)
11	14971-SM20E7	O-Ring, Cover
13	14971-SM10E14	Nut, Hex (S.S. 304)
14	U9-369	O-Ring, Tank Flange
15	35505-1243	O-Ring, Stand Pipe
16	14971-SM10E17	Sight Glass
17	14971-SM10E16	Sight Glass, Gasket
18	15060-0000T	Gauge, Pressure
NOT SHOWN		
	14971-SM20E50	Key Assembly Items 1-10

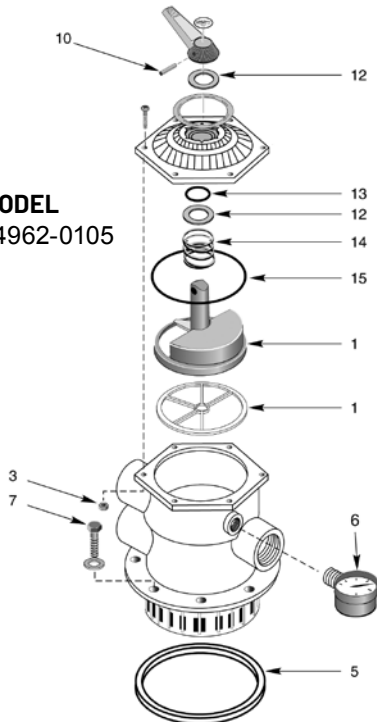
MULTIPOINT TOP MOUNT 1-1/2 IN. VALVES

REPLACEMENT PARTS FOR STA-RITE VALVES



MODEL

14962-0105



Item	Part No.	Description
MULTIPOINT TOP MOUNT 1-1/2 IN. VALVE		
1	14962-0017	Plug with Gasket
3	98211400	Hex Nut, 1/4-20 S.S.
5	14962-0021	Square Ring, BUNA-N
6	15060-0000T	Pressure Gauge - 0-60 PSI
7	U30-74SS	Bolt, 3/8-16 x 1 in. S.S.
10	35857-0021	Dowel Pin, 5/16 x 2-1/2 in. S.S.
12	14962-0005	Washer, Celcon
13	35505-1228	O-Ring, Parker #2-216, BUNA-N
14	14962-0011	Spring, Compression
15	35505-1272	O-Ring, Parker #2-255
NOT SHOWN		
	14962-0035	Spring and O-ring Kit, includes items 12, 13, 14 & 15