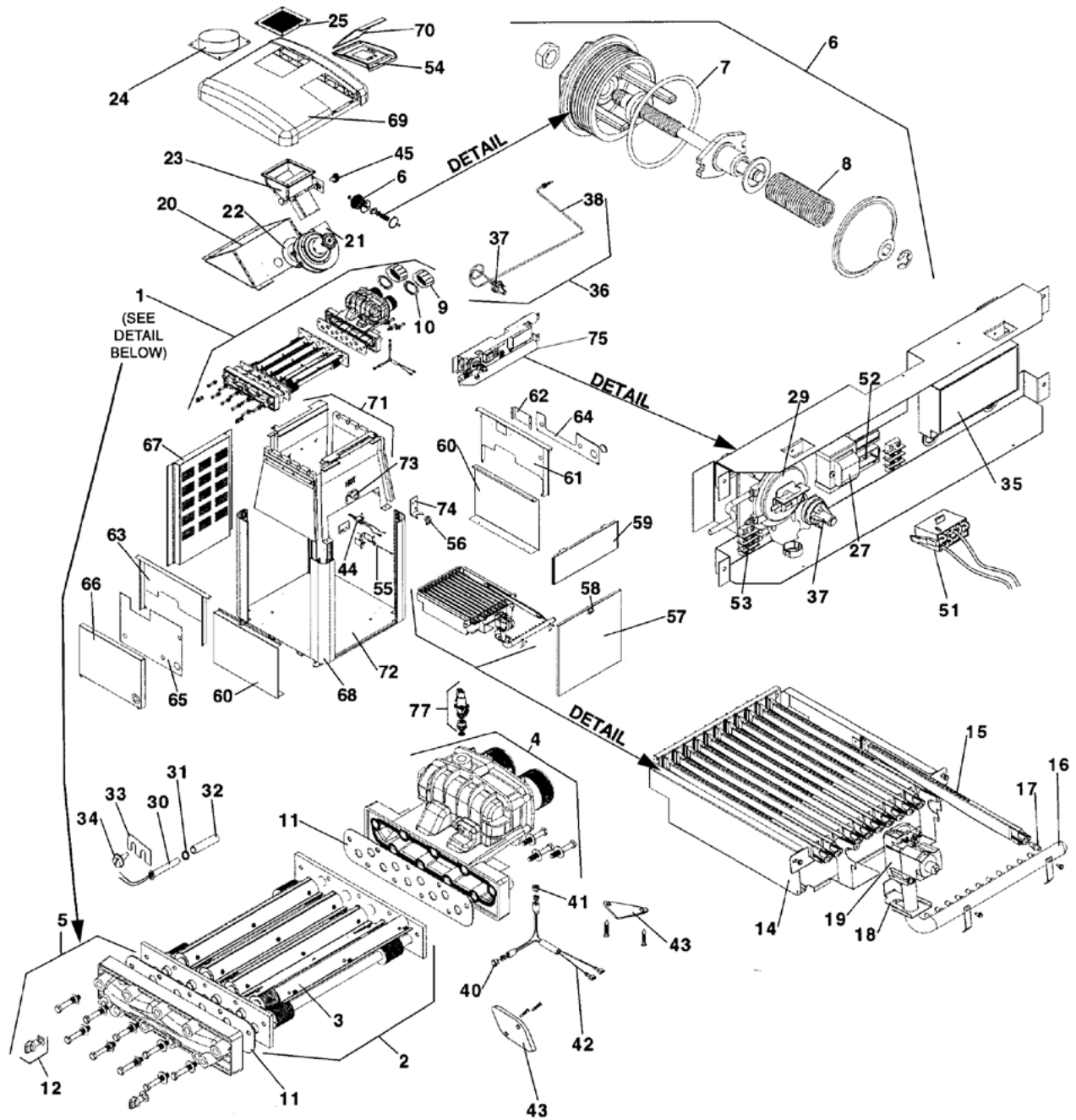


LX™/LT™ (Discontinued, Mfg. 1999–2003)



Key No.	Part No.	Description	Model No.
WATER COMPONENTS			
	R0326303	Complete Heat Exchanger (Copper)	250
	R0326305	Complete Heat Exchanger (Copper)	400
	R0395703	Bronze Heat Exchanger, Cu, Complete	250
1	R0395705	Bronze Heat Exchanger, Cu, Complete	400
	R0395803	ASME® Compliant Heat Exchanger Tube Assembly	250
	R0395805	ASME Compliant Heat Exchanger Tube Assembly	400

Key No.	Part No.	Description	Model No.
	R0334403	Heat Exchanger Baffles (Set of 10 including end baffles)	250
3	R0334405	Heat Exchanger Baffles (Set of 10 including end baffles)	400
4	R0326900	Front Header, w/ Hardware and Gaskets	All
5	R0327000	Rear Header, w/ Hardware and Gaskets	All
6	R0327100	Bypass Assembly, w/ Hardware and Gaskets	All
7	R0336700	Gasket, Bypass Assembly	All
8	R0327200	Spring, Bypass	All
9	R0327300	Coupling Nut Kit, w/ Compression Ring and Gasket, 2/PK Unions	All

Continued on next page.

LX™/LT™ (Discontinued, Mfg. 1999–2003)

Parts diagram on page 177.

Key No.	Part No.	Description	Model No.
10	R0337600	O-Rings, Header Coupling for LX	All
11	R0327500	Gasket, Header (front or rear)	All
12	R0335900	Header Drain Plug w/ Gasket, 3/PK	All
N/S	R0327600	Heat Exchanger Hardware Kit and Gaskets	All
GAS COMPONENTS			
14	R0327703	Burner, Tray Weldment	250
	R0327705	Burner, Tray Weldment	400
15	R0469800	Burners	All
	R0327803	Manifold, Gas	250
16	R0327805	Manifold, Gas	400
	R0327900	NAT Orifice [0–3K ft.], 20/PK	All
17	R0328000	NAT Orifice [3K–6K ft.], 20/PK	All
	R0328100	NAT Orifice [6K–9K ft.], 20/PK	All
18	R0328200	LP Orifice [0–5K ft.], 20/PK	All
	R0328300	LP Orifice [5K–10K ft.], 20/PK	All
	R0331800	Anti-Rotation Bracket	All
19	R0336800	Gas Valve NAT w/ Street Ell	All
	R0336900	Gas Valve LP w/ Street Ell	All
EXHAUST SYSTEM			
20	R0331703	Flue Collector	250
	R0331705	Flue Collector	400
21	R0329800	Blower Assembly	All
N/S	Q0078800	Blower Tube (by ft.)	All
22	R0329900	Gasket w/Blower Mounting Hardware	All
23	R0331500	Flue Vent	All
24	R0331403	Indoor Vent Collar, 7"	250
	R0331405	Indoor Vent Collar, 9"	400
25	R0328500	Outdoor Grill	All
N/S	R0331600	Vent Hardware Kit	All
N/S	R0369700	Exhaust Vent Extension R-Kit	
ELECTRICAL			
27	R0061100	Transformer	All
N/S	R0330900	In-line Fuse Assembly, 3 Amp	All
29	R0302000	Blower Pressure Switch	All
30	R0011800	Temperature Sensor	All
31	R0456600	Gasket, Temperature Sensor	All
32	10444900+	Plastic Sleeve, Temperature Sensor	All
33	10447300+	Retainer Bracket, Temp Sensor	All
34	F0009100+	Screw, Retainer Bracket	All
35	R0408100	Ignition Control	All
37	R0013200	Pressure Switch, 2 PSI	All
38	R0334600	Siphon Loop	All
N/S	R0327600	Fitting for Siphon Loop Tube, Heater Connect.	All
39	R0023200	High-Limit Set	All
40	R0022700	High Limit 135°F	All
41	R0023000	High Limit 150°F	All
N/S	R0383200	High-Limit Insert, 3/PK Brass, Sensor Standard Assembly	All
42	R0334700	Harness, High-Limit Switch	All
43	R0336500	Retainer Plates, High-Limit, 2/PK	All
44	R0337000	Hot Surface Igniter	All
45	R0329400	Exhaust Temp Limit Switch	All
N/S	R0329500	Wire Harnesses Complete	All
N/S	R0330900	Wire Harness, Power Transformer	All
N/S	R0331000	Wire Harness, Ignition Control	All
N/S	R0331100	Wire Harness, Gas Valve	All
N/S	R0331200	Wire Harness, Safety Loop	All

Key No.	Part No.	Description	Model No.
51	R0336200	Wire Harness, 120V Power Plug	All
	R0336300	Wire Harness, 240V Power Plug	All
52	R0336400	Wire Harness, 15-Pin Connector	All
53	R0097800	Terminal Block for Fireman's Switch	All
54	R0329600	Temperature Control w/ Bezel	LX
N/S	R0350500	Temperature Control w/ Bezel - Dual	LT
N/S	R0387600	Gasket, Temp Control R-Kit	
55	R0334800	Flame Sense Rod	All
56	R0012200	Fusible Link	All
JACKET COMPONENTS			
57	R0330003	Door w/ Latch	250
	R0330005	Door w/ Latch	400
58	R0334900	Door Latch Assembly w/ Handle	All
59	R0335103	Cover Panel, Raceway	250
	R0335105	Cover Panel, Raceway	400
60	R0330100	Panel, Side, Lower (fits left or right)	All
61	R0330200	Panel, Right Side, Upper	All
62	R0336600	Cover Panel, Exhaust Switch	All
63	R0335200	Panel, Left Side, Upper	All
64	R0335300	Cover Plate, I/O Header Side	All
65	R0335400	Cover Plate, Return Header Side	All
66	R0335500	Cover Panel, Left Side	All
67	R0330303	Rear Panel	250
	R0330305	Rear Panel	400
68	R0330400	Corner Posts	All
69	R0330503	Top Panel	250
	R0330505	Top Panel	400
70	R0330600	Cover, Temperature Control	All
71	R0330703	Combustion Chamber Assembly	250
	R0330705	Combustion Chamber Assembly	400
72	R0335603	Base Panel	250
	R0335605	Base Panel	400
73	R0335700	Igniter Box Assembly	All
74	R0337200	Bracket, Fusible Link	All
75	R0369500	Raceway Circuit Board	All
OPTIONAL			
N/S	R0330803	Non-Combustible Base	250
N/S	R0330805	Non-Combustible Base	400
77	R0336100	Pressure Relief Valve	All
N/S	R0335800	Touch-Up Paint	All
N/S	R0336000	Temperature Rise Measurement Kit All	All
N/S	R0355800	Lock Box	All

N/S-Not shown