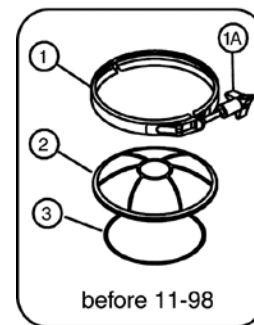
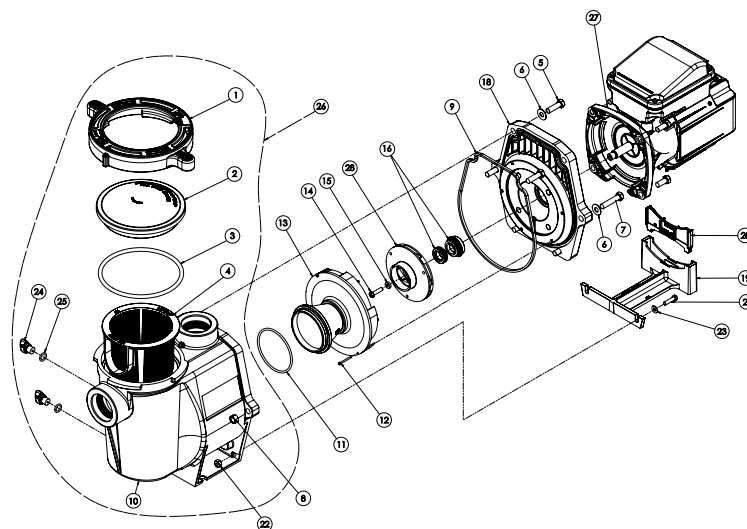


WHISPERFLO® PUMP REPLACEMENT PARTS



CALIFORNIA PROPOSITION 65 WARNING
 ⚠️ **WARNING:** Cancer and Reproductive Harm.
 ⚠️ **AVERTISSEMENT:** Peut Causer le Cancer et des Dommages au Système Reproducteur.
 ⚠️ **ADVERTENCIA:** Cáncer y Daño Reproductivo.
www.p65warnings.ca.gov PH202114

Item	Part No.	Description
WHISPERFLO PUMPS		
1	070711	Clamp band assembly, SS, WF/AQ ⁵ (old style)
1	357150	Clamp, Cam & Ramp™, plastic, black, WF ⁷
1	357199	Clamp, Cam & Ramp, plastic, almond, WF ⁸
1A	071136Z	Knob, only ⁵
2	070795	Cover, clear, AQ/WFE pump ⁵ (old style)
2	357151	Cover, clear, WFE pump ⁶
2	357156	Cover, chemical resistant Cam & Ramp
3	071422	O-ring, AQ/WFE cover ⁵
3	350013Z	O-ring, WFE cover ⁶
4	070387Z	Basket
5	070430	Bolt, 3/8, 16 x 1-1/4 hex hd. SS, 4 req.
6	072184	Washer, 3/8 x 13/16 o.d. SS, 6 req.
7	070431	Bolt, 3/8, 16 x 1-3/4 hex hd. SS, 2 req.
8	071403	Nut, 3/8, 16 hex hd., 2 req.
9	071445	O-ring parker No.2-265, WFE pump ^{1,4}
9	357100Z	Black Gasket for Seal Plate ¹⁴
9	357102Z	Almond Gasket for Seal Plate ¹⁵
10	357149	Volute & Sealplate, Almond Replacement Kit ⁶
10	350015	Volute, almond
10	357157	Volute, black
11	355227Z	O-ring parker No.2-238, WFE pump
12	071660Z	Set screw, 4-40 x 1-1/8 WFE, 2 req.
13	072928	Diffuser assembly, WFE-12, 3 HP; WFK-12, 3HP models
13	072927Z	Diffuser assembly, WFE-2-8, 1/2 HP - 2-1/2 HP
14	071652Z	Set screw, 1/4, 20 x 1 lh. phillips

Item	Part No.	Description
15	075713	Rubber washer, WFE pump
16	071734S	Seal PA-7 w/ ceramic seat, PS1000
16	071732S	Mechanical Seal (ozone/salt resistant)
17	070429Z	Bolt, 3/8-16 X 7/8 SS Hex Head 18-8, 4 req.
18	350202	Seal Plate Kit, Almond with Gasket (Includes Mechanical Seal Installed and Seal Plate Gasket) Items 9, 16 & 18
18	350101	Seal Plate Kit WFE Black (Includes Mechanical Seal installed) Items 16 & 18
19	070927	Foot, WFE-4 pump, almond
19	357159	Foot, black ⁹
20	070929	Foot insert, WFE pump, almond
20	357160	Foot insert, WFE pump, black ⁹
21	071657Z	Screw, 1/4, 20 x 1 in. hh. SS, 2 req.
22	071406	Nut, 1/4, 20 hex. hd. SS, 2 req.
23	072183	Washer, flat 1/4 x 5/8, 2 req.
24	071131Z	Knob plug drain, almond (2 req.)
24	357161Z	Knob plug drain, 2 req., black ⁹
25	192115Z	O-Ring drain plug, 2 req.
26	357149	Almond Volute/Seal plate kit ⁶ (Includes items 1-4, 9, 10, 16, 18, 24, 25.)
MOTORS		
27	356363S	1.1 THP Motor
27	354803S	3/4 HP, 1SP, TEFC
27	354821S	1 HP, 1SP, TEFC, WFET- 4
27	354823S	1-1/2 HP, 1SP, TEFC, WFET- 6
27	354815S	2 HP, 1SP, TEFC, WFET- 8
27	354817S	3 HP, 1SP, TEFC, WFET- 12
27	355008S	3/4 HP, 1SP, WFE- 2, 3 & 24
27	355010S	1 HP, 1SP, WFE- 4 & 26
27	355012S	1-1/2 HP, 1SP, WFE- 6 & 28
27	355014S	2 HP, 1SP, WFE-8 & 30

Note: Pumps and replacement motors that are single speed and one (1) Total HP or greater cannot be sold, offered for sale, or installed in a residential pool for filtration use in California, Title 20 CCR sections 1601-1609.

Product on pages 182-183.

WHISPERFLO® PUMP (CONT'D)

REPLACEMENT PARTS

Item	Part No.	Description
MOTORS		
27	355016S	3 HP, 1SP, WFE-12,
27	350088S	3/4 HP, 2 sp, WFDS-3
27	356630S	1 HP, 2 sp., WFDS-4 & 26 ¹¹
27	071320S	1-1/2 HP, 2 sp., WFDS-6 & 28 ¹¹
27	071321S	2 HP, 2 sp., WFDS-8 & 30 ¹¹
27	355018S	1/2 HP, 1SP, WF-2, 23
27	355020S	3/4 HP, 1SP, WF-3, 24
27	355022S	1 HP, 1SP, WF-4, 26
27	355024S	1-1/2 1SP, HP, WF-6, 28
27	355026S	2 HP, 1SP, WF-8, 30
27	355033S	3 HP, 1SP, WF-12
27	355002S	1/2 HP, 3PH, 1SP
27	355001S	3/4 HP, 3PH, 1SP
27	354805S	1 HP, 3PH, 1SP, WFK-4
27	354807S	1.5 HP, 3PH, 1SP, WFK-6
27	354809S	2 HP, 3PH, 1SP, WFK-8
27	354811S	3 HP, 3PH, 1SP, WFK-12

IMPELLERS		
28	073126	Impeller (WF-2, WF-23, WFE-2, WFK-2,)
28	073127	Impeller (WFE-3, WFE-24, WF-3, WF-24, WFK-3, WFDS-3, WFDS-24)
28	073128	Impeller (WFE-4, WFE-26, WF-4, WF-26, WFK-4, WFDS-4, WFDS-26)
28	073129	Impeller (WF-6, WF-28, WFE-6, WFE-28, WFK-6, WFDS-6, WFDS-28)
28	073130	Impeller (WF-8, WF-30, WFE-8, WFE-30, WFK-8, WFDS-8, WFDS-30)
28	073131	Impeller (WFE-12, WF-12, WFK-12)

POWER END SUBASSY. INCLUDES ITEMS No. 12 THRU 18, 27, 28 , CONT.

075251	WF-2, WF-23
075145	WFDS-3, WFDS-24
075136	WFE-2
075137	WFE-3, WFE-24 ³
075138	WFE-4, WFE-26 ³
075139	WFE-6, WFE-28 ³
075140	WFE-8, WFE-30 ³
075141	WFE-12 ³
075142	WFDS-4, WFDS-26 ¹¹
075143	WFDS-6, WFDS-28 ¹¹
075144	WFDS-8, WFDS-30 ¹¹
075252	WF-3, WF-24 ¹⁰
075253	WF-4, WF-26 ¹⁰
075254	WF-6, WF-28 ¹⁰
075255	WF-8, WF-30 ¹⁰
075256	WF-12 ¹⁰

Item	Part No.	Description
FLUID ENDS-ALL PARTS, W/O MOTOR		
	075452	WFE-3 fluid end, 3/4 HP
	075453	WFE-4 fluid end, 1 HP
	075454	WFE-6 fluid end, 1-1/2 HP
	075455	WFE-8 fluid end, 2 HP
	075456	WFE-12 fluid end, 3 HP

NOT SHOWN		
79129900		2-Speed Toggle Switch with Mounting plate
350202		Seal Plate Kit: Seal plate (almond), Gasket (black), with installed Seal (Includes items 9, 16, & 18)
350203		Seal Plate Kit: Seal plate (black), Gasket (black), with installed Seal (Includes items 9, 16, & 18)
356198		WhisperFlo/IntelliFlo Quick Kit (includes 16, 9, 11, 3, 145, 25(x2))
357243		Pot Assembly, Almond NPT. (Includes items 1-4, 10, 24 (qty. 2), 25 (qty. 2))
357244		Pot Assembly, Black NPT. (Includes items 1-4, 10, 24 (qty. 2), 25 (qty. 2))
355001S		Motor for Pump 011021
355002S		Motor for Pump 340061
400013Z		ODP Motor End Cap and Screw
357923Z		Fan Guard Kit TEFC/Super-Duty
350199		Seal Plate Kit (ozone/salt resistant)

- ¹ Used on pumps manufactured before 6-94.
- ² Used on pumps manufactured after 6-94.
- ³ Energy efficient single phase.
- ⁴ Pumps manufactured before 11-98 require a volute replacement kit (357149) when replacing items No.9-gasket, No.10-volute, or No.18-seal plate. This kit will update the pump to the new configuration using the "Cam and Ramp" lid design.
- ⁵ Used on pumps manufactured before 11-98.
- ⁶ Used on pumps manufactured after 11-98. Includes items 1-4, 9, 10, 16, 18, 24, 25.
- ⁷ Used on pumps manufactured between 11-98 thru 12-17-99.
- ⁸ Used on pumps manufactured after 12-17-99.
- ⁹ CSA/CUL (only) for Canada.
- ¹⁰ Standard efficiency, single phase.
- ¹¹ Two Speed, single phase.
- ¹² Includes items 16 & 18.
- ¹⁴ 2-1-08 to present.
- ¹⁵ 1-31-08 and prior.

Note: Pumps and replacement motors that are single speed and one (1) Total HP or greater cannot be sold, offered for sale, or installed in a residential pool for filtration use in California, Title 20 CCR sections 1601-1609.

CALIFORNIA PROPOSITION 65 WARNING

▲ **WARNING:** Cancer and Reproductive Harm.
▲ **AVERTISSEMENT:** Peut Causer le Cancer et des Dommages au Système Reproducteur.
▲ **ADVERTENCIA:** Cáncer y Daño Reproductivo.

www.p65warnings.ca.gov. P65019A