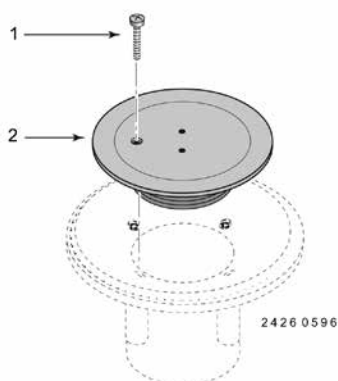
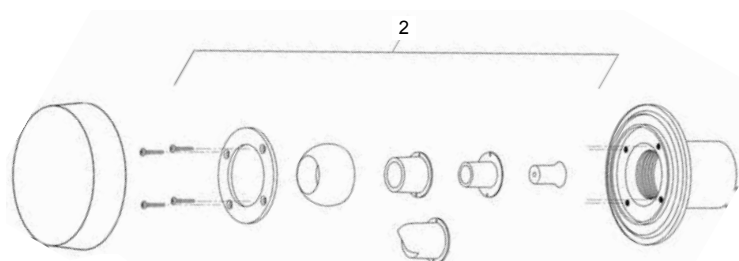


ADJUSTABLE FLOOR INLET FITTING



Item	Part No.	Description	Qty
EQUALIZER SUCTION FITTING KIT			
1	37207-0430	Screw, No. 8 x 1 in., SS	1
2	08417-0005	Cover plate, white ¹	1
2	08417-0005B	Cover plate, gray ¹	1
2	08417-0005C	Cover plate, black ¹	1

¹ To be used only as floor inlet fitting(s).



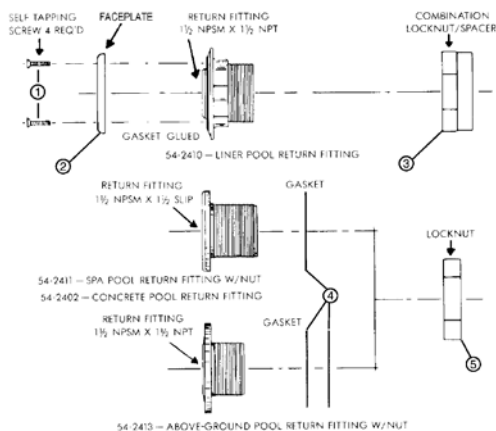
POOL INLETS

CALIFORNIA PROPOSITION 65 WARNING
 ⚠️ **WARNING:** Cancer and Reproductive Harm.
 ⚠️ **AVERTISSEMENT:** Peut Causer le Cancer et des Dommages au Système Reproducteur.
 ⚠️ **ADVERTENCIA:** Cáncer y Daño Reproductivo.
 www.p65warnings.ca.gov. P650073A

Item	Part No.	Description	Qty.
EYEBALL INLETS			
1	08429-0014	Body, 08429-0000, 1-1/2 in. inlet, white	1
1	08428-0014B	Body, 08428-0100, 1-1/4 in. inlet, gray	1
2	08428-0001	Inlet Eyeball Kit, white, includes: Screw, No. 8, 32 x 1/2 in.; Face plate; Ball; nozzle - 3/4 in.; Right angle nozzle; Nozzle - 1/2 in.; Nozzle - 3/16 in.	1
2	08428-0001B	Inlet Eyeball Kit, gray, includes: Screw, No. 8, 32 x 1/2 in.; Face plate; Ball; nozzle - 3/4 in.; Right angle nozzle; Nozzle - 1/2 in.; Nozzle - 3/16 in.	1
NOT SHOWN			
	08428-0125	Eyeball inlet kit	1

Product on page 289.

WALL FITTINGS



Item	Part No.	Description
WALL FITTINGS		
1	552472	Screw, No.12 x 1 in. flat phillips, 4 req.
2	545100	Face plate, white for 542410 / 86205100
2	545101	Face plate, black for 542420 / 86205101
2	545103	Face plate, gray for 86205103
4	552496	Cork gasket
4	552406	Gasket, 2 req.
5	154412	Locknut

Product on page 289.