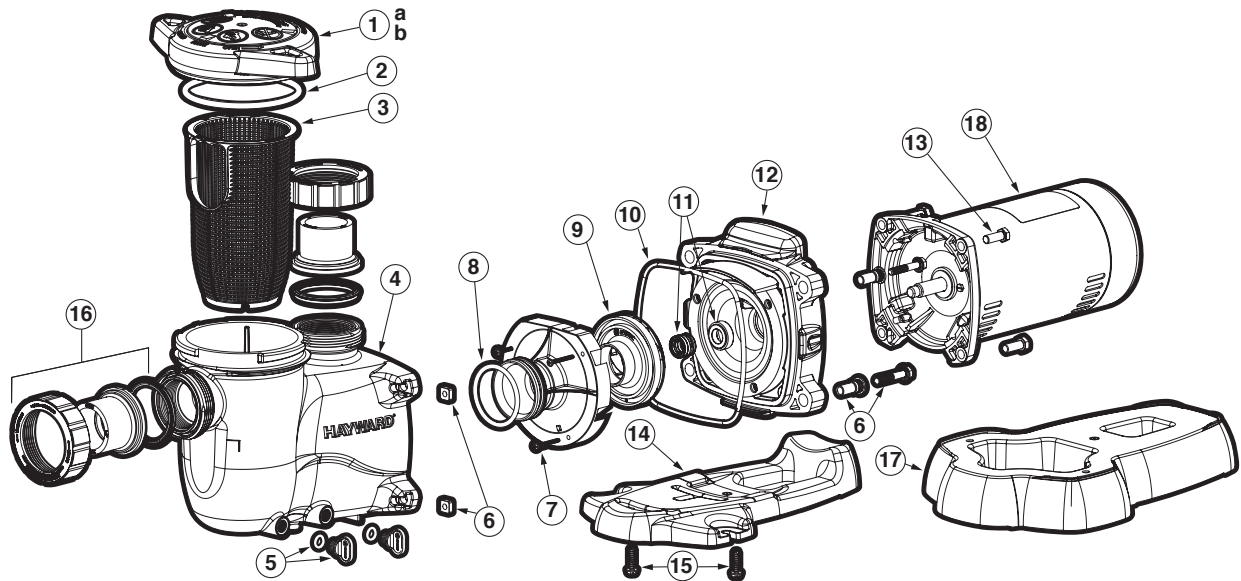


Parts for Pump Models: SP2305X7(EE)(SP), (W3)SP2307X10(2), (W3)SP2310X15(2), (W3)SP2315X20(2)



Ref. No.	Part No.	Description	Ctn. Qty.
1a	SPX2300DLS	Strainer Cover Kit (Includes Strainer Cover, Lock-Ring, O-Ring)	10
1b	SPX2300DLSB	Strainer Cover Kit for Biguanide Sanitizers (Includes Strainer Cover, Lock-Ring, O-Ring) <b>NOT</b> Pressure Testable	10
2	SPX2300Z4	Strainer Cover O-Ring	50
3	SPX2300M	Strainer Basket	5
4	SPX2300AA	Pump Strainer Housing with Drain Plugs	1
5	SPX4000FG	Drain Plug with O-Ring	50
6	SPX2700ZPAK	Hardware Pack (Includes 4 Housing Bolts, Seal-Plate Spacers and Square Nuts)	10
7	SPX2300Z3PAK3	Diffuser Screws (Pack of 3)	50
8	SX220Z2	Diffuser O-Ring	10
9	SPX2700C	Impeller for 3/4 H.P. Max-Rate Pump	10
	SPX2700CSP	Impeller for Pump Model SP2305X7EESP	1
	SPX2707CM	Impeller for 1 H.P. Max-Rate Pump	10
	SPX2710CM	Impeller for 1 1/2 H.P. Max-Rate Pump	10
	SPX2715CM	Impeller for 2 H.P. Max-Rate Pump	10
10	GMX600F	Housing O-Ring	100
11	SPX2700SA	Shaft Seal Assembly	10
	SPX2300E	Seal Plate	5
13	SPX3200Z5PAK4	Motor Bolt (Pack of 4)	50
12	SPX2300E	Seal Plate	5
14	SPX2300G	Motor Support with Base Mount Screws	5
15	SPX1600Z52	Motor Support Base Mount Screws	1
16	SPX2700UNKIT	Union Connector Kit (Includes 2 Nuts, Connectors, Gaskets)	10

### OPTIONAL

17	SPX2300GR	Optional Riser Base Aligns with Sta-Rite® Dyna-Pro®	1
----	-----------	---	---

### MOTORS

	SPX2705Z1M	Motor, 3/4 H.P., Threaded Shaft (Single Phase, 60 Cycle 115V/208-230V)	1
	SPX2705Z1ME	Motor, 3/4 H.P., Energy Efficient Threaded Shaft (Single Phase, 60 Cycle 115/208-230V)	1
	SPX2707Z1M	Motor, 1 H.P., Threaded Shaft (Single Phase, 60 Cycle 115/208-230V)	1
	SPX2710Z1M	Motor, 1 1/2 H.P., Threaded Shaft (Single Phase, 60 Cycle 115/208-230V)	1
	SPX2715Z1ME	Motor, 2 H.P., Energy Efficient, Threaded Shaft (Single Phase, 60 Cycle 115/208-230V)	1
	SPX2707Z2M	Motor, 1 H.P., 2-Speed, Threaded Shaft (Single Phase, 60 Cycle 230V)	1
	SPX2710Z2M	Motor, 1 1/2 H.P., 2-Speed, Threaded Shaft (Single Phase, 60 Cycle 230V)	1
	SPX2715Z2M	Motor, 2 H.P., 2-Speed, Threaded Shaft (Single Phase, 60 Cycle 230V)	1