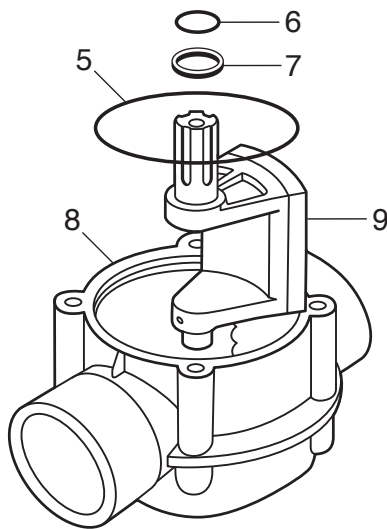
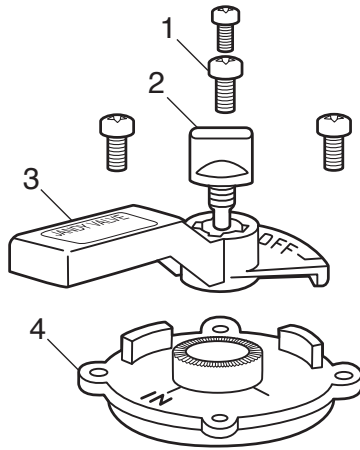


Space Saver Jandy Valve®, Diverter (1 1/2"-2" 3-Port)

Part No. 3406



Key No.	Part No.	Description
1	R0547600	Screw Kit, #14 x 3/4" Valve Housing, 8/PK
2	R0487000	Knob, ABS
3	3500+	Space Saver Handle
4	3490+	Cover, 3-Port
5	6749+	O-Ring, SSV -143
6	R0487100	O-Ring, -116, Valve Shaft
7	3457	Diverter Seal Ring
N/S	N/A*	Space Saver Valve Housing, 3-Port
9	3483	Diverter Assembly Complete, Includes Knob, Positive Seal
	3484	Diverter Assembly Complete, Includes Knob, Non-positive Seal

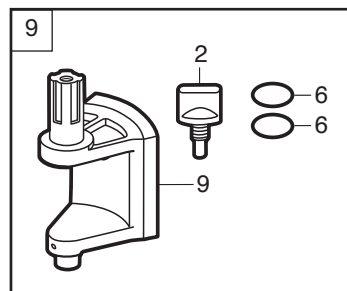
*Order complete valve N/S-Not shown

Space Saver Jandy Valve, Diverter (1 1/2"-2" 2-Port)

Part No. 3407

Key No.	Part No.	Description
1	R0547600	Screw Kit, #14 x 3/4" Valve Housing, 8/PK
2	R0487000	Knob, ABS
3	3500+	Space Saver Handle
4	3426	Cover, 2-Port
5	6749+	O-Ring, SSV -143
6	R0487100	O-Ring, -116, Valve Shaft
7	3457	Diverter Seal Ring
8	N/A*	Space Saver Valve Housing, 2-Port
9	3483	Diverter Assembly Complete, Includes Knob, Positive Seal
	3484	Diverter Assembly Complete, Includes Knob, Non-positive Seal

*Order complete valve

Diverter Assembly Complete w/ Knob (Positive Seal)
Part No. 3483 and Non-Positive Seal Part No. 3484