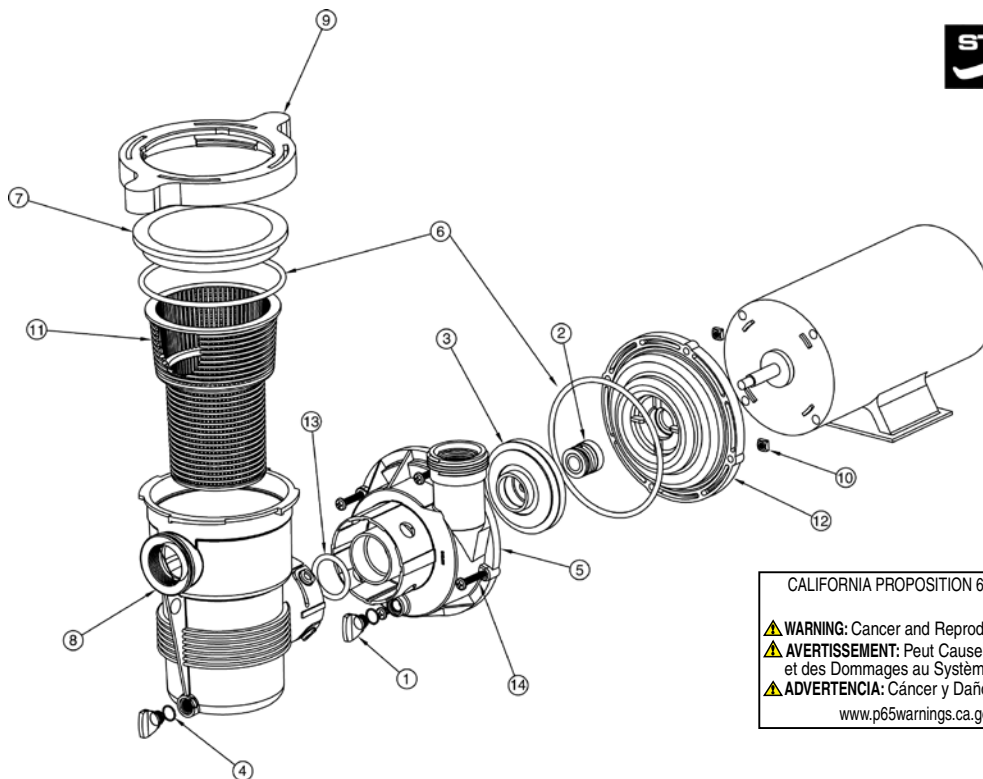


OPTIFLO® PUMP

PENTAIR AND STA-RITE REPLACEMENT PARTS



CALIFORNIA PROPOSITION 65 WARNING
 ⚠️ **WARNING:** Cancer and Reproductive Harm.
 ⚠️ **AVERTISSEMENT:** Peut Causer le Cancer et des Dommages au Système Reproducteur.
 ⚠️ **ADVERTENCIA:** Cáncer y Daño Reproductivo.
www.p65warnings.ca.gov PH200714

Item	Part No.	Description
OPTIFLO PUMPS		
1	357161Z	Drain plug
2	354545S	Mechanical seal
3	350017	Impeller, 1 HP
3	354552	Impeller, 3/4 HP
3	350018	Impeller, 1-1/2 HP
4	192115Z	O-ring
5	357213	Volute ¹
6	357255Z	O-ring 2-357
7	357227	Lid
8	357228	Pot ¹
9	357239	Clamp ring
10	357254	1/4-20 Square nut
11	355667	Basket
12	357215	Seal plate
13	350103	O-ring 2-130
14	98209000	1/4-20 x 1-1/2 Machine screw
NOT SHOWN		
	79137800	3 ft. cord - standard
	155234	3 ft. cord - TW

¹ Includes drain plugs.

Note: Pumps and replacement motors that are single speed and one (1) Total HP or greater cannot be sold, offered for sale, or installed in a residential pool for filtration use in California, Title 20 CCR sections 1601-1609.