

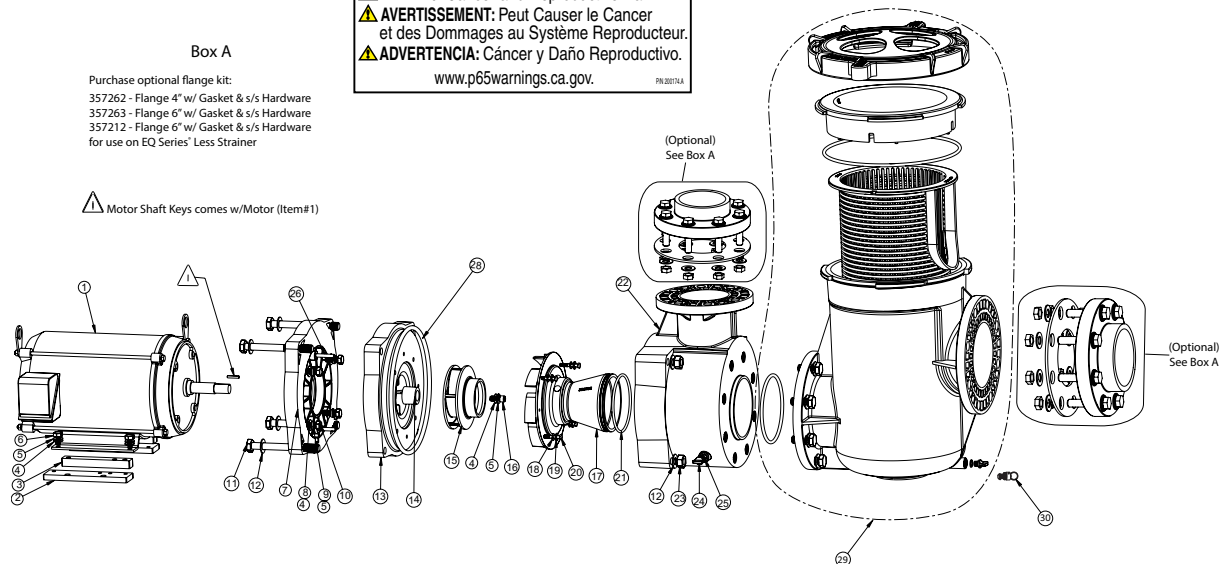
EQ SERIES® COMMERCIAL PLASTIC PUMP REPLACEMENT PARTS

CALIFORNIA PROPOSITION 65 WARNING
 ⚠️ **WARNING:** Cancer and Reproductive Harm.
 ⚠️ **AVERTISSEMENT:** Peut Causer le Cancer et des Dommages au Système Reproducteur.
 ⚠️ **ADVERTENCIA:** Cáncer y Daño Reproductivo.
www.p65warnings.ca.gov PH200714

Box A

Purchase optional flange kit:
 357262 - Flange 4" w/ Gasket & s/s Hardware
 357263 - Flange 6" w/ Gasket & s/s Hardware
 357212 - Flange 6" w/ Gasket & s/s Hardware
 for use on EQ Series' Less Strainer

⚠️ Motor Shaft Keys comes w/Motor (Item#1)



Part No.	Model No.	HP	Phase	Motor Support (Item No. 2)	Additional Motor Support (Item No. 3)	Motor No. (Item No. 1)	Impeller (Item No. 15)	Diffuser (Item No. 17)
340019, 340030	EQ500	5	1	356713	356712	357065S	350030	350032
340020, 340031	EQK500	5	3	356713	356712	357068S	350030	350032
340604, 340608	EQKT500	5	3	356713	356712	350731Z	350030	350032
340021, 340032	EQ750	7-1/2	1	356713	N/A	357066S	350029	350033
340022, 340033	EQK750	7-1/2	3	356713	356712	357069S	350029	350033
340605, 340609	EQKT750	7-1/2	3	356713	N/A	350732Z	350029	350033
340237, 340238	EQ1000	10	1	356713	N/A	357063S	350028	350033
340023, 340034	EQK1000	10	3	356713	N/A	357070S	350028	350033
340606, 340610	EQKT1000	10	3	356713	N/A	350733Z	350028	350033
340024, 340035	EQK1500	15	3	356713	N/A	357071S	350027	356735
340607, 340611	EQKT1500	15	3	356713	N/A	350734Z	350027	356735
340045, 340047	EQK1000 EXPL PF, 50 Hz	10	3	356713	N/A	350112S	350027	356735
340046, 340048	EQK750 EXPL PF, 50 Hz	7-1/2	3	356713	N/A	350113S	350028	350033
340049, 350083	EQK1000, 50 Hz	10	3	356713	N/A	350153S	350027	356735
340080, 340084	EQK750, 50 Hz	7-1/2	3	356713	N/A	350154S	350028	350033
340081, 340085	EQK500, 50 Hz	5	3	356713	356712	350155S	350029	350033
340082, 340086	EQK300, 50 Hz	3	3	356713	356712	350156S	350030	350032
340014, 340026	EQW300	3	1	356713	356712	357064S	350027	356735
340016, 340027	EQWK300	3	3	356713	356712	357067S	350027	356735
340018, 340029	EQWK500	5	3	356713	356712	350158S	350070	357273
340017, 340028	EQW500	5	1	356713	356712	350159S	350070	357273
340148, 340155	EQK500 575V	5	3	356713	356712	355038S	350030	350032
340149, 340156	EQK750 575V	7-1/2	3	356713	356712	355039S	350029	350033

Call for pricing on these items.

Product on pages 216–219.

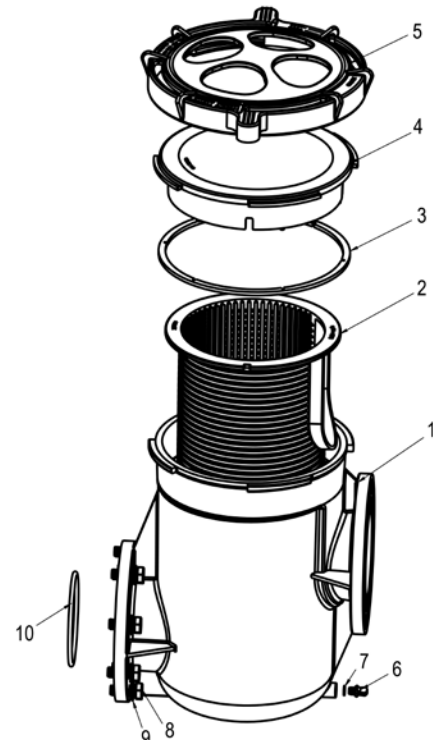
EQ SERIES® COMMERCIAL PLASTIC PUMP

REPLACEMENT PARTS

Item	Part No.	Description
EQ SERIES PUMP		
1		Motor - See Table on Prev Page
2		Support - Motor - See Table on Prev Page
3		Support Adapter - See Table on Prev Page
4	072184	Washer, Flat 3/8 in. ID x 7/8 in. OD .05 Thk 18-8 s/s - (qty.51 & qty.9)
5	98220600	Washer Split Lock 3/8 in. 18-8 s/s - (qty. 51 & qty. 9)
6	A135	Screw 3/8 in.-16 x 3/4 in. Hx Hd Cap 18-8 s/s (EQ750...1PH, EQ1000, EQ1500) - (qty. 4)
6	350073	Screw 3/8 in.-16 x 1-1/2 Hx Hd Cap 18-8 s/s (EQ300, EQ500, EQ750...3PH) - (qty.4)
7	356790	Adapter - Motor - EQ Series
8	075842	Washer, Flat 1/2 in. ID x 1-1/4 in. OD .125 Thk 300 s/s - (qty. 4)
9	350063	Washer Split Lock 1/2 in. 18-8 s/s - (qty.4)
10	U30-74SS	Screw 3/8 in.-16 x 1 in. Hx Hd Cap 18-8 s/s (EQ300, EQ500, EQ750...3PH) - (qty. 4)
10	071687	BLT 1/2-13 x 1.25 STL HH SS (qty. 4)
11	356710	Screw 5/8 in.-11 x 6-1/2 in. Hx Hd Cap 18-8 s/s - (qty. 4)
12	356789	Washer, Flat 11/16 in. IDx1 - 5/16 in. OD .078 Thk 300 s/s (qty. 8)
13	356795	Seal Plate - EQ Series
14	071725S	Seal Set
15		Impeller - See Table on Prev Page
16	071037	Screw 3/8 in.-16 x 1 in. Sckt. Hd Cap 18-8 s/s

Item	Part No.	Description
17		Diffuser - See Table on Prev Page
18	51008500	Washer, Flat 1/4 in. 300 s/s - (qty. 4)
19	072172	Washer Split Lock 1/4 in. 18-8 s/s - (qty. 4)
20	350035	Screw 1/4 in.-20 x 1-1/2 in. Hx Hd Cap 18-8 s/s (EQ500, EQ750, EQ1000) - (qty. 4)
20	356797	Screw 1/4 in.-20 x 1-3/4 in. Hx Hd Cap 18-8 s/s (EQW300, EQ1500) - (qty. 4)
21	350037	O-ing Diffuser 3/16 in. x 4-7/8 in.
22	356755	Housing - EQ Series
23	356776	Nut 5/8 in.-11 Hx Brass - (qty. 5)
24	357161Z	Drain Plug
25	192115Z	O-ring Drain Plug
26	350060	Pin Dowel 5/16 in. x 1-3/4 in. 18-8 s/s - (qty. 2)
28	356780	O-ring Seal Plate 3/8 in. x 11 in. dia.
29	340013	Strainer Pot Assy Complete EQ 6 in. x 6 in.
30	350087	Pressure Relief Valve
NOT SHOWN		
	351137S	EQ Alignment Tool Seal Plate to Motor
	354825	Hardware Kit for 7.5 HP ODP to TEFC Motor Conversion
	355930	5HP 3-phase TEFC power end
	355931	7-1/2HP 3-phase TEFC power end
	355932	10HP 3-phase TEFC power end
	355933	15HP 3-phase TEFC power end

Item	Part No.	Description
EQ SERIES HAIR & LINT STRAINER		
1	356725	Pot EQ strainer
2	357184	Basket EQ strainer
3	350166	Gasket, EQ lid
4	356750	Lid EQ clear
5	350171	Clamp Cam & Ramp™ EQ (No Lid)
6	357161Z	Drain Plug
7	192115Z	O-ring drain plug
8	356788	Screw, 5/8 in., 11 x 1-3/4 in. hx hd cap 18-8 SS (qty. 8)
9	356789	Washer, flat 11/16 in. ID x 1-5/16 in. OD 0.078 thk 300 SS (qty. 8)
10	350013Z	O-ring pot flange
NOT SHOWN		
	350087	Pressure relief valve, 1/4 in. NPT



CALIFORNIA PROPOSITION 65 WARNING
 ⚠️ **WARNING:** Cancer and Reproductive Harm.
 ⚠️ **AVERTISSEMENT:** Peut Causer le Cancer et des Dommages au Système Reproducteur.
 ⚠️ **ADVERTENCIA:** Cáncer y Daño Reproductivo.
www.p65warnings.ca.gov PHS 2011-14

Product on pages 216–219.