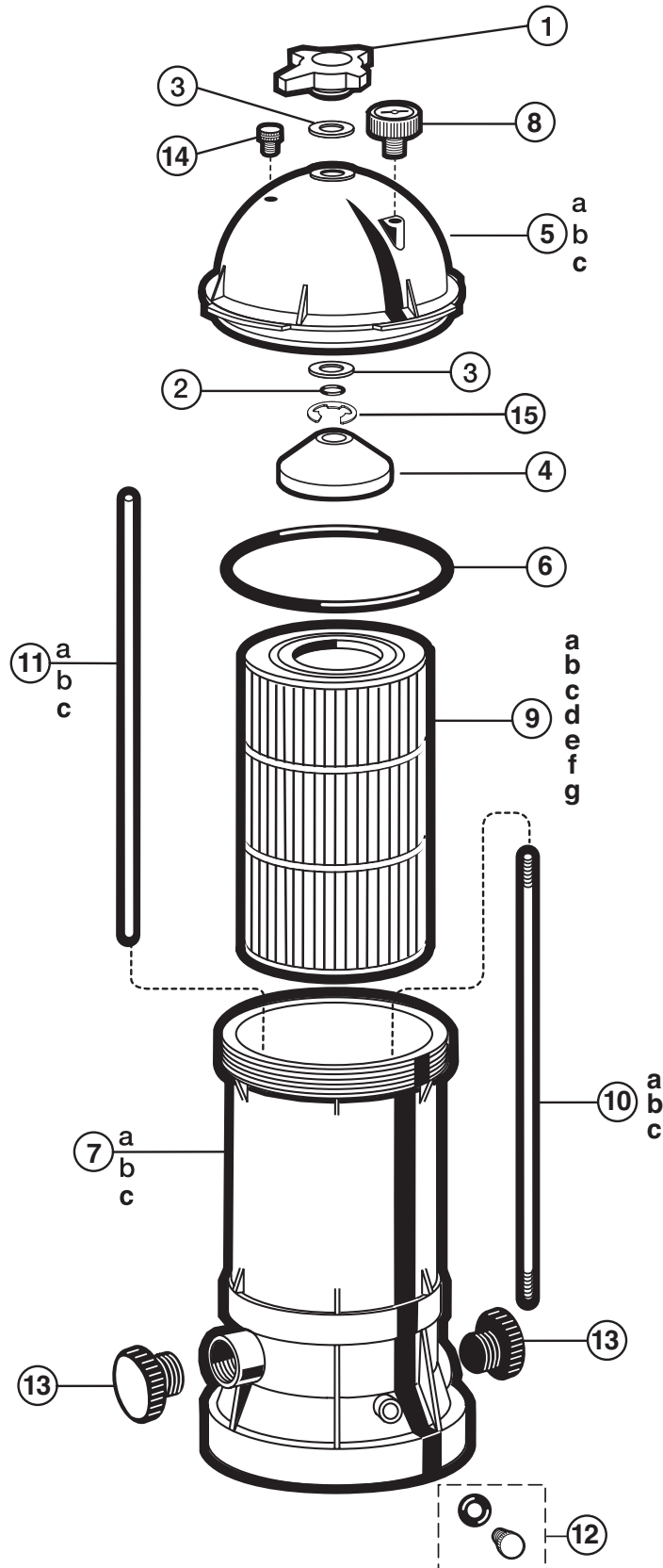


StarClear™ Plus

CARTRIDGE FILTER SERIES AND SEPARATION TANK REPLACEMENT PARTS

Parts Diagram



Filters

Parts Listing

Ref. No.	Part No.	Description	Ctn. Qty.
1	CX900G	Locking Knob (C751, C900, C1200, C1502 Series)	5
	CX900DA	Knob Accessory Kit (Includes Plastic Washers, O-Ring, Guide Cone and E-Clip)	20
	CX1750G	Locking Knob (C1750, C2002 Series)	5
2	CX900H	Knob O-Ring	50
3	CX900WPAK2	Knob Washer (<i>Set of 2</i>)	25
4	CX900D	Guide Cone	10
5a	CX900B	Filter Head with Directional Vent Valve (C751, C900 Series)	1
5b	CX1200B	Filter Head with Directional Vent Valve (C1200, C1502 Series)	1
5c	CX1750B	Filter Head with Directional Vent Valve (C1750, C2002 Series)	1
6	CX900F	Filter Head O-Ring	50
7a	CX900AA	Filter Body – 1 1/2" FIP (C751, C900)	1
	CX900AA2	Filter Body – 2" FIP (C7512, C9002, C9002S)	1
7b	CX1200AA	Filter Body – 1 1/2" FIP (C1200)	1
	CX1200AA2	Filter Body – 2" FIP (C12002, C12002S, C1502)	1
7c	CX1750AA2	Filter Body – 2" FIP (C17502, C17502S, C2002)	1
8	ECX271261	Pressure Gauge	20
9a	CX760RE	Cartridge Element (C751 Series)	1
9b	CX900RE	Cartridge Element (C900 Series)	1
9c	CX1200RE	Cartridge Element (C1200 Series)	1
9d	CX1520RE	Cartridge Element (C1502 Series)	1
9e	CX2020RE	Cartridge Element (C2002 Series)	1
9f	CX1750RE	Cartridge Element (C1750 Series)	1
9g	CX1900RE	Cartridge Element (C1900 Series)	1
10a	CX800Z2	Tie Rod (C751, C900 Series)	1
10b	CX1100Z2	Tie Rod (C1200, C1502 Series)	1
10c	CX1750Z2	Tie Rod (C1750, C2002 Series)	1
11a	CX800Z4	Air Relief Tube (C751, C900 Series)	20
11b	CX1100Z4	Air Relief Tube (C1200, C1502 Series)	10
11c	CX1750Z4	Air Relief Tube (C1750, C2002 Series)	1
12	CX250Z14A	Drain Plug Kit (Includes Plug and O-Ring)	50
13	CX900K	2" PVC Socket Connector	20
14	ECX1322A	Directional Vent Valve with O-Ring	20
15	CX900J	E-Ring	20
D.E. SEPARATION TANK Parts are same as C900 except replace cartridge element with option below.			
—	CX900DB	D.E. Collector Bag Assembly (May 2004 and Prior)	1
—	CX900DBA	D.E. Collector Bag Assembly (after May 2004)	1