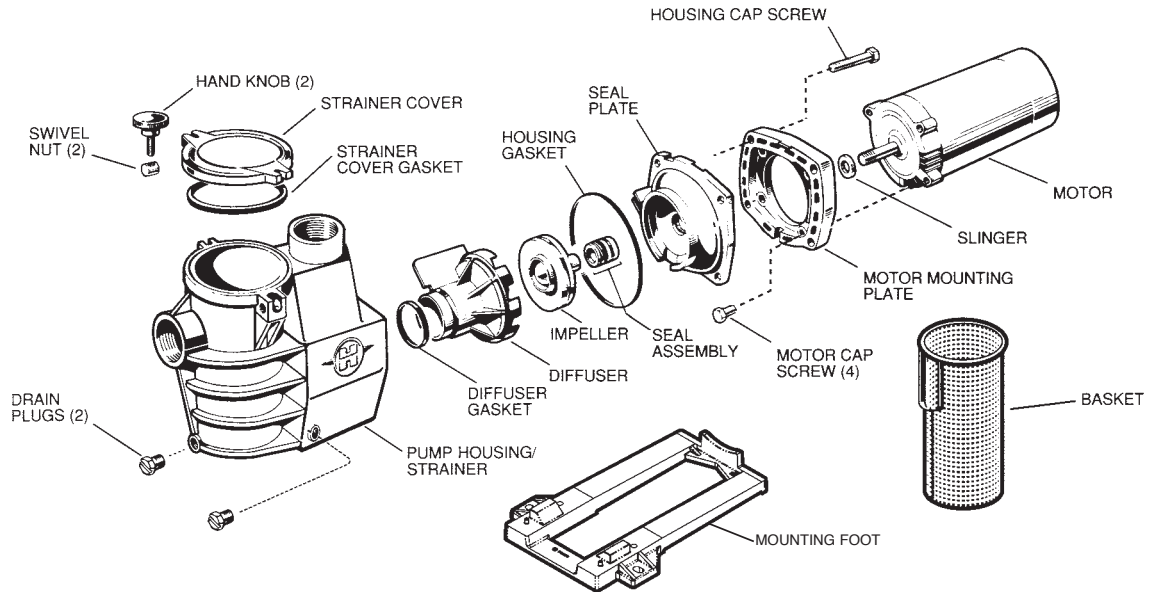


**Parts for Pump Models: SP2800X5, SP2805X7, SP2807X10, SP2810X15(2), SP2815X20**



Part No.	Description	Ctn. Qty.
SPX2800AA*	Pump Housing/Stainer accepts Swing Away Knobs, 1 1/2" x 1 1/2", with Drain Plugs (1995 and Prior)	1
SPX1250LA	Strainer Cover, clear with Gasket (Fits All Models)	10
SPX1250LAB	Strainer Cover, with Gasket for Biguarnide Sanitizers <b>NOT</b> Pressure testable	10
SPX0125T	Strainer Cover Gasket	20
SPX1250RA	Basket (1994 and Prior)	10
SPX2800M	Basket (1995)	10
SPX1250Z4	Hand Knob, Three Pointed (1994 and Prior)	50
SPX1600PN	Hand Knob Kit (1995, Includes Swivel Nut and Hand Knob)	100
SPX1600T	Housing Gasket	50
SPX1600R	Diffuser Gasket	25
SPX1600TRA	Seal Assembly Kit (Includes Seal Assembly, Housing and Diffuser Gaskets)	10
SPX1600V	1/4" Drain Plug (1991 and Prior)	50
SPX1700FG	1/4" Drain Plug with Gasket	50
SPX2600G1	Mounting Foot with Adapter and Screws	10
SPX1600Z52	Mounting Foot Cap Screw (Set of 2 – 1995 and Prior, 2 sets required)	1
SPX1600Z2	Seal Assembly	10
SPX1600F5	Motor Mounting Plate	10
SPX1600Z4	Housing Cap Screw	25
SPX0125Z44	Motor Cap Screw (Set of 4)	20
SPX0125F	Slinger	50
SPX2800B	Diffuser, for all H.P.'s	15
SPX2600E5	Seal Plate	10
SPXHKIT1	H-KIT Quick Pump Repair for MaxFlo (Includes SPX1600T, SPX0125T, SPX1600R, SPX1600Z2 and Jack's Lube)	10

**Housing Conversion Kit —To Swing Away Knob Style**

SPX2800AAC*	Complete Housing Conversion Kit. Includes housing, strainer cover and gasket, basket, round hand knobs (2), and swivel nuts (2).	1
-------------	--	---

**Parts listed below must be ordered for specific model & H.P.:**

SPX2600C	Impeller, for 1/2 H.P. Max Rated	20
SPX2605C	Impeller, for 3/4 H.P. Max Rated	20
SPX2607C	Impeller, for 1 H.P. Max Rated	10
SPX2610C	Impeller, for 1 1/2 H.P. Max Rated	20
SPX2615C	Impeller, for 2 H.P. Max Rated	25
SPX1600Z1M	Motor, 1/2 H.P., Threaded Shaft (Single Phase, 60 Cycle 115V)	1
SPX1605Z1M	Motor, 3/4 H.P., Threaded Shaft (Single Phase, 60 Cycle 115/230V)	1
SPX1607Z1M	Motor, 1 H.P., Threaded Shaft (Single Phase, 60 Cycle 115/230V)	1
SPX1610Z1M	Motor, 1 1/2 H.P., Threaded Shaft (Single Phase, 60 Cycle 115/230V)	1
SPX1615Z1M	Motor, 2 H.P., Threaded Shaft (Single Phase, 60 Cycle 115/230V)	1
SPX1610Z2M	Motor, 1 1/2 H.P., Threaded Shaft, Two-speed (Single Phase, 60 Cycle, 230V)	1

**NOTE:** \*SP2800AAC is a complete substitute for SPX2800AA.