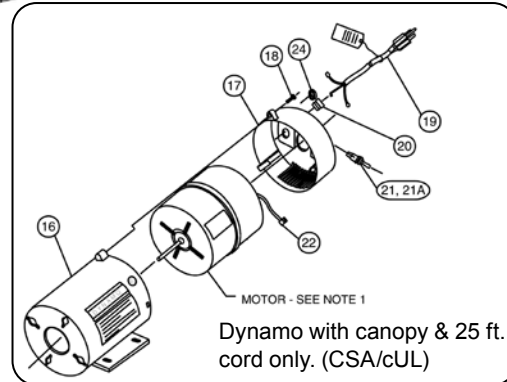
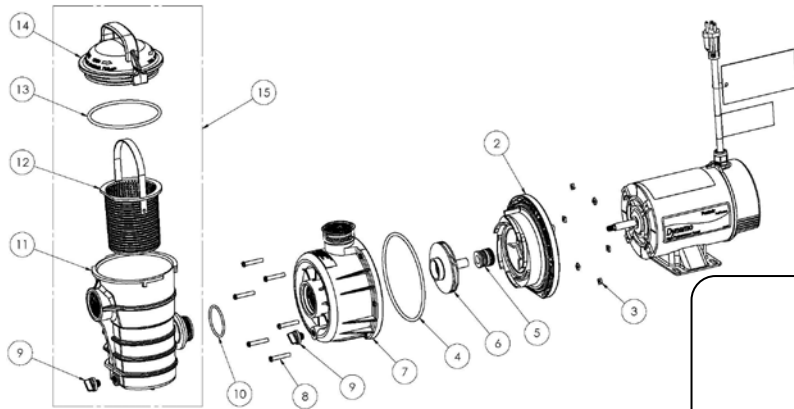


DYNAMO® PUMP

PENTAIR AND STA-RITE REPLACEMENT PARTS



CALIFORNIA PROPOSITION 65 WARNING

⚠ **WARNING:** Cancer and Reproductive Harm.
 ⚠ **AVERTISSEMENT:** Peut Causer le Cancer et des Dommages au Système Reproducteur.
 ⚠ **ADVERTENCIA:** Cáncer y Daño Reproductivo.
www.p65warnings.ca.gov PH 201714

Item	Part No.	Description
DYNAMO PUMPS MOTORS		
2	354632	Diffuser, 3/4 HP bracket
2	354633	Diffuser, 1, 1-1/2 HP bracket
3	354542	Nut, 10-24 SS, 6 req.
4	354634	O-ring, 3/16 in. bracket diffuser
5	354545S	Seal, 5/8 in. mechanical
6	353002	Impeller, 1/2 HP
6	354552	Impeller, 3/4 HP
6	355122	Impeller, 1 HP
7	354630	Housing, body
8	354541	Screw, 10-24-1-1/2 in. slotted hex, 6 req.
9	U178-920PZ	Drain plug assy. - 2 req.
10	273062	O-ring
11	354530	Pot
12	354548	Basket w/ handle
13	354533	O-ring, lid
14	354531	Lid, universal
14	354113	Chemical Resistant Lid
15	354103	Pot assembly

Item	Part No.	Description
DYNAMO WITH CANOPY AND 25 FT. CORD ONLY (CSA/cUL)		
16	354621	Body, motor enclosure
17	354881	Cap, motor enclosure (on/off)
17	354882	Cap, motor enclosure (two-speed)
18	154716	Screw, No.10 self tapping
19	155371	Cord, 25 ft.
20	41412700	Bushing connector
21	155187	Switch, on/off toggle (CSA)
21A	356546	Switch, three position toggle (Hi/Low/Off)
22	155193	Wire, 6 in. jumper
24	350024	Locknut, steel 1-1/2 in.
NOT SHOWN		
	352256	Nut, 1-1/2 in. quick connect, 2 req.
	354571	O-ring, 2 req.
	79137800	3 ft. cord standard assembly
	352245	Strain relief bushing for cords
	350444	Canopy switch assembly, on/off ¹
	350481	Canopy with on-off switch ²
	155380Z	Base CSA 4 in.
	155234	3 ft. cord TW
	79137800	3 ft. cord-standard

¹ Pumps manufactured before 4/13.

² Pumps manufactured after 4/13.

Note: Pumps and replacement motors that are single speed and one (1) Total HP or greater cannot be sold, offered for sale, or installed in a residential pool for filtration use in California, Title 20 CCR sections 1601-1609.