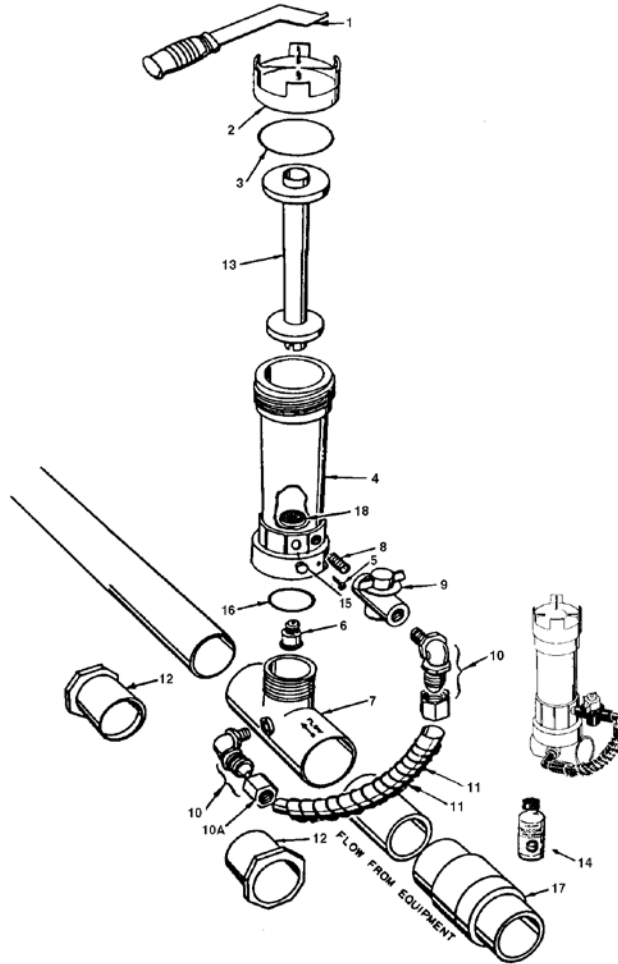


# AUTOMATIC FEEDER - MODEL 322

## REPLACEMENT PARTS



Item	Qty.	Part No.	Description
<b>Order No.: R171100</b>			
<b>Model No.: 322</b>			
<b>Description: IN-LINE FEEDER</b>			
1	Opt.	R172052	Cap wrench
2	1	R172008W	3 in. threaded cap, white
3	1	R172009Z	O-ring, cap
5	1	R01052	Lock screw
6	1	R172331	Check valve w/ restrictor
7	1	R172317	Diverter tee 1-1/2 NPT x 2 in. slip x slip
8	1	R172256Z	1/2 in. x Short MPT nipple
9	1	R172086Z	1/2 in. Control valve
10	2	R172272Z	1/2 in. NPT x tube 90° ELL w/nut

Item	Qty.	Part No.	Description
10A	Opt.	R172274Z	Compression nut only (for R172272Z)
11	1	R172091	5/8 in. o.d. short feeder tube
11	1	R171097Z	Tube support spring
12	2	R172210	2 in. x 1-1/2 in. S x S bushing (for 1-1/2 in. PVC only) <sup>1</sup>
13	1	R172258	Chemical chamber
14	1	R172036Z	Silicone lubricant, 3/4 oz.
15	1	R172007	1/4 in. NPT plug
16	1	R172319Z	Bottom O-ring
17	Opt.	R172288	1-1/2 in.-2 in. Corrosion resistant check valve
18	1	210396Z	Screen

<sup>1</sup> Not used with 2 in. PVC.

CALIFORNIA PROPOSITION 65 WARNING

⚠ **WARNING:** Cancer and Reproductive Harm.  
 ⚠ **AVERTISSEMENT:** Peut Causer le Cancer et des Dommages au Système Reproducteur.  
 ⚠ **ADVERTENCIA:** Cáncer y Daño Reproductivo.

www.p65warnings.ca.gov. PR030714A