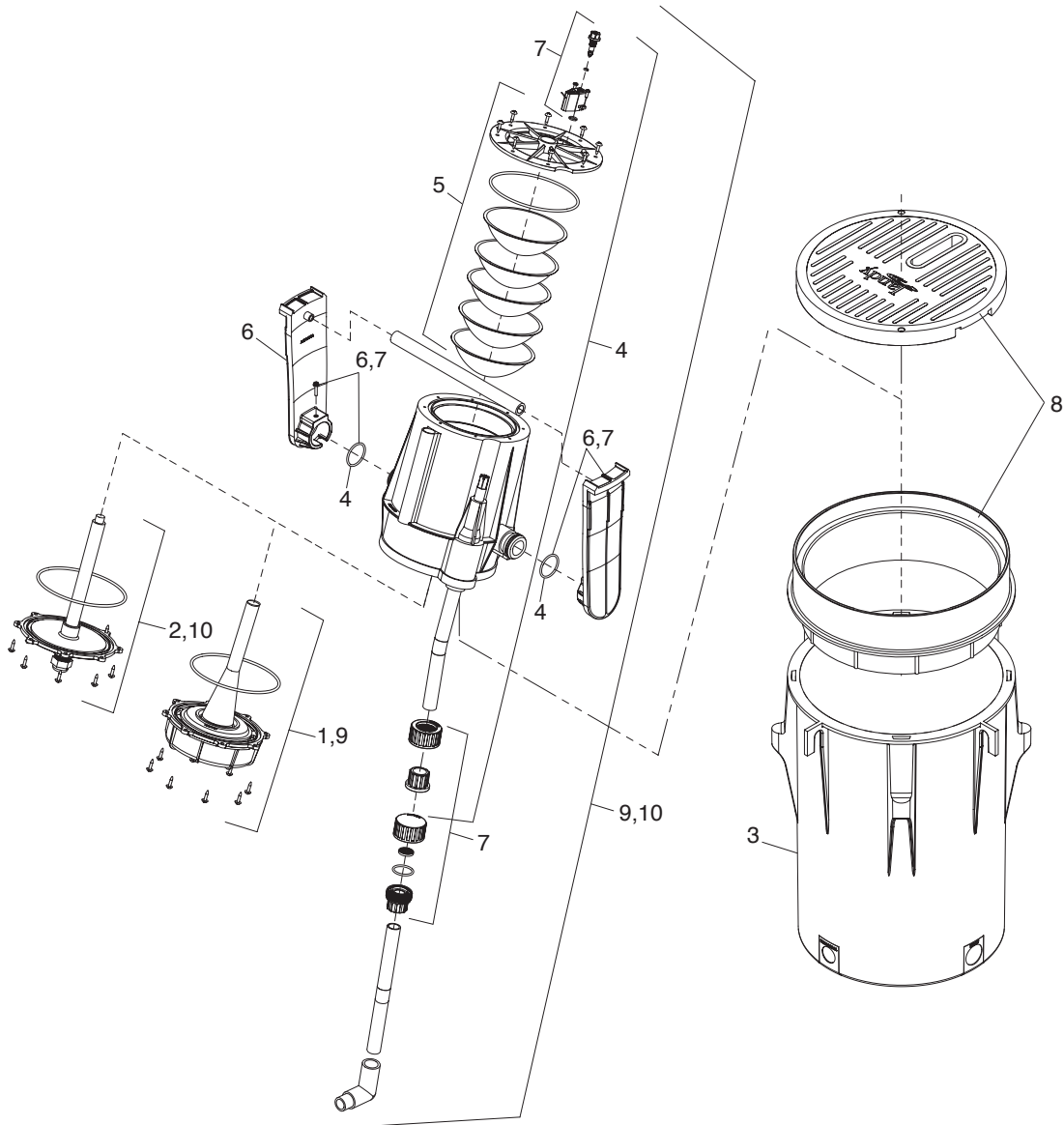


Laminar Jet Parts Diagram



Key No.	Part No.	Description
1	R0961200	RGBW LED Light Engine Assembly, Laminar Jet (Replaces Part No. R0488800)
2	R0488900	Fiber Optic Assembly, Laminar Jet
3	R0489100	Deck Canister, Laminar Jet
4	R0489200	Jet Assembly, Laminar Jet (No Light Module)
5	R0489300	Cover and Screens (5), Laminar Jet Assembly
6	R0489500	Mounting Brackets and Hardware, Laminar Jet
7	R0490000	Rebuild Kit, All Hardware, Scratcher, Finger Screen
8	JLPBBL	Lid and Collar, Pebble, Laminar Jet
	JLPWTR	Lid and Collar, Pewter, Laminar Jet
9	R0960900	Laminar Jet w/ RGBW LED Light Replacement Kit (Replaces Part No. R0499900)
10	R0500300	Laminar Jet w/ Fiber Optic Retrofit Kit