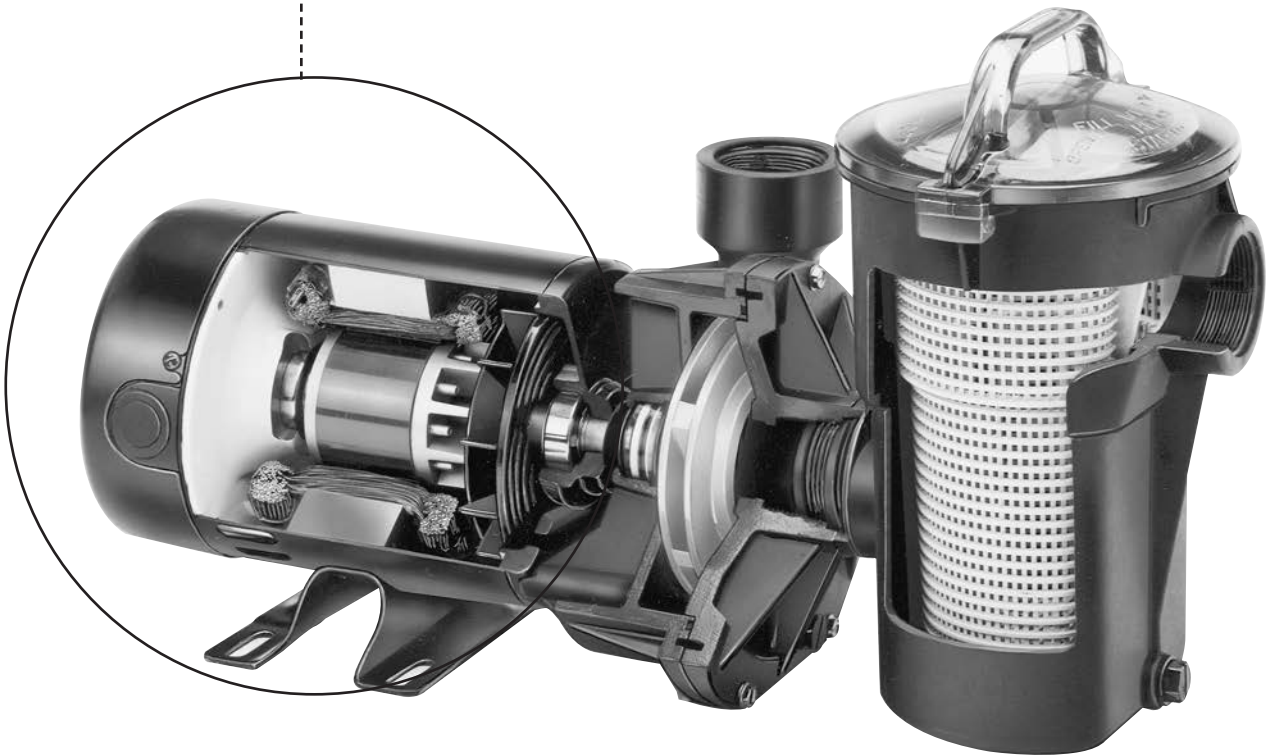


Parts for PowerFlo Pump Motors for Pumps listed on pages 164 and 165



Part No.	Description	Ctn. Qty.
SPX1500Z1E	Motor, 1/2 H.P. Single Phase, 60 Cycle	1
SPX1510Z1E	Motor, 3/4 H.P. Single Phase, 60 Cycle	1
SPX1510Z1ECPMV	Motor, Variable Speed	1
SPX1510Z1XE	Motor, 1 H.P. Single Phase, 60 Cycle	1
SPX1515Z1E	Motor, 1 1/2 H.P., Single Phase, 60 Cycle	1
SPX1520Z1ESC	Motor, 2 H.P. Single Phase, 60 Cycle	1
SPX1510Z24XE	Dual Speed Motor, 1 H.P., Single Phase, 60 Cycle	1
SPX1520Z2ES	Dual Speed Motor, 2 H.P., Single Phase, 60 Cycle	1
SPX1500Z15S	Motor Canopy, Flex 48, with On-Off Switch	1
SPX1500Z15T	Motor Canopy, Flex 48 2-Speed, with 3-Position Switch	1
SPX1500S8	Motor Switch – On-Off for Flex 48	10
SPX1500S9	Motor Switch – 3 Position for 2 Speed Flex 48	10
SPX1250WA	Motor Cord 14/3 6 ft.	10
SPX1550WA1	Motor Cord 12/3 3 ft. Twist Lock	25
SPX1540Z1E	Motor, 40 GPM, Single Phase, 60 Cycle	1