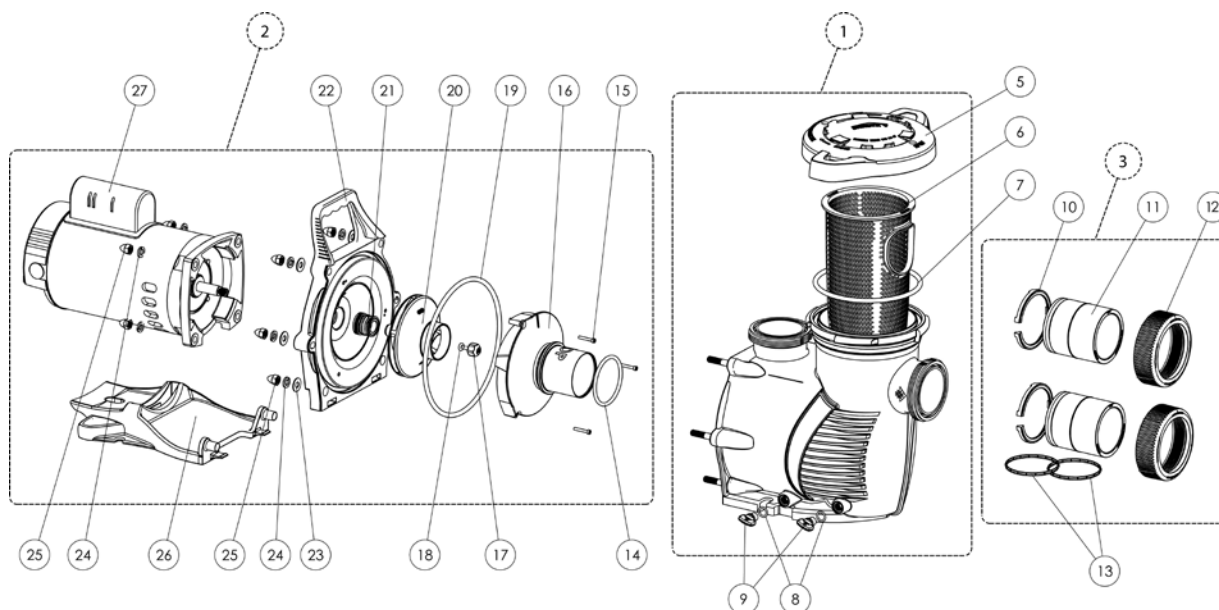


WHISPERFLOXF® PUMP REPLACEMENT PARTS



Item	Part No.	Description
WHISPERFLO XF PUMP		
1	400000	Wet End Assembly
2	See chart on next page	Power End Assembly
3	410020	Union Kit Without Tap
5	400006	Lid/Locking Ring Assembly
6	400007Z	XF Series Replacement Basket
7	35505-1440	Lid/Locking Ring O-Ring
8	192115Z	Drain Plug O-Ring
9	071131Z	Drain Plug (2 req.)
10	410001	2.5 in. C-Clip Locking Ring
11	410002	2.5 in. Union Adapter without Tap
12	411000	2.5 in. Union Nut
13	410016Z	2.5 in. Seal Kit - (Includes two)
14	350336	Diffuser O-Ring
15	353323	Diffuser Screw
16	See chart on next page	Diffuser
17	37337-6080	Impeller Screw, Plastic Head (pumps mfg. before 10/7/2019)
17	356073	Impeller Screw, Metal-Head (pumps mfg. after 10/7/19)
18	072172	Impeller screw washer

Item	Part No.	Description
19	351446	Seal Plate O-Ring
20	See chart on next page	Impeller Assembly (includes screw and washer)
21	17351-0101S	Mechanical Seal Assembly
22	400002	Seal Plate
23	072184	Flat Washer
24	U43-12SS	Split Lock Washer
25	071413	Acorn Nut
26	400004Z	Motor Base
27	See chart on next page	Motors
NOT SHOWN		
	400030Z	Hardware and Orings Kit
	400031Z	Seal Plate Kit w/ Mechanical Seal
	400012	Riser Plate XF to Challenger
	400013Z	Motor End Cap and Screw
	357923Z	Fan Guard Kit TEFC/Super-Duty

CALIFORNIA PROPOSITION 65 WARNING

⚠ **WARNING:** Cancer and Reproductive Harm.
 ⚠ **AVERTISSEMENT:** Peut Causer le Cancer et des Dommages au Système Reproducteur.
 ⚠ **ADVERTENCIA:** Cáncer y Daño Reproductivo.

www.p65warnings.ca.gov. P652017A

WHISPERFLOXF[®] PUMP (CONT'D)

REPLACEMENT PARTS

Item	Part No.	Description
IMPELLERS		
20	400020Z	XFET-8
20	400015Z	XFET-12
20	400023Z	XFET-20
20	400020Z	XF-8
20	400015Z	XF-12
20	400020Z	XFE-8
20	400015Z	XFE-12
20	400023Z	XFE-20
20	400020Z	XFDS-8
20	400015Z	XFDS-12
20	400020Z	XFDS-30
20	400020Z	XF-30
20	400020Z	XFE-30
20	400020Z	XFJ-8
20	400015Z	XFJ-12
20	400023Z	XFJ-20
20	400020Z	XFK-8
20	400015Z	XFK-12
20	400023Z	XFK-20
MOTORS		
27	354815S	2hp 1-Phase TEFC 208-230V
27	354817S	3hp 1-Phase TEFC 208-230V
27	354819S	5hp 1-Phase TEFC 208-230V
27	355026S	2hp Standard E 230V
27	355033S	3hp Standard E 230V
27	355014S	2hp High Eff 208-230V
27	355016S	3hp High Eff 208-230V
27	353317S	5hp High Eff 208-230V
27	359526S	2hp 2 Speed 230V
27	353316S	3hp 2 Speed 230V
27	359526S	2.5hp Uprated 2 Speed 230V
27	355026S	2.5hp Uprated Standard E 230V
27	355014S	2.5hp Uprated High E 208-230V
27	354809S	2hp 3 Phase 208-230-460V
27	354811S	3hp 3 Phase 208-230-460V
27	354813S	5hp 3 Phase 208-230-460V

Item	Part No.	Description
DIFFUSERS		
16	400010	XFET-8
16	400010	XFET-12
16	400011Z	XFET-20
16	400010	XF-8
16	400010	XF-12
16	400010	XFE-8
16	400010	XFE-12
16	400011Z	XFE-20
16	400010	XFDS-8
16	400010	XFDS-12
16	400010	XFDS-30
16	400010	XF-30
16	400010	XFE-30
16	400010	XFJ-8
16	400010	XFJ-12
16	400011Z	XFJ-20
16	400010	XFK-8
16	400010	XFK-12
16	400011Z	XFK-20
POWER ENDS		
2	400632Z	2hp 1-Phase TEFC 208-230V
2	400633Z	3hp 1-Phase TEFC 208-230V
2	400634Z	5hp 1-Phase TEFC 208-230V
2	400612Z	2hp Standard E 230V
2	400613Z	3hp Standard E 230V
2	400609Z	2hp High Eff 208-230V
2	400610Z	3hp High Eff 208-230V
2	400611Z	5hp High Eff 208-230V
2	400607Z	2hp 2 Speed 230V
2	400608Z	3hp 2 Speed 230V
2	400607Z	2.5hp Uprated 2 Speed 230V
2	400612Z	2.5hp Uprated Standard E 230V
2	400609Z	2.5hp Uprated High E 208-230V
2	400617Z	2hp 3 Phase 208-230-460V
2	400618Z	3hp 3 Phase 208-230-460V
2	400619Z	5hp 3 Phase 208-230-460V

Note: Pumps and replacement motors that are single speed and one (1) Total HP or greater cannot be sold, offered for sale, or installed in a residential pool for filtration use in California, Title 20 CCR sections 1601-1609.

CALIFORNIA PROPOSITION 65 WARNING

⚠️ **WARNING:** Cancer and Reproductive Harm.
 ⚠️ **AVERTISSEMENT:** Peut Causer le Cancer et des Dommages au Système Reproducteur.
 ⚠️ **ADVERTENCIA:** Cáncer y Daño Reproductivo.

www.p65warnings.ca.gov. PK20071A