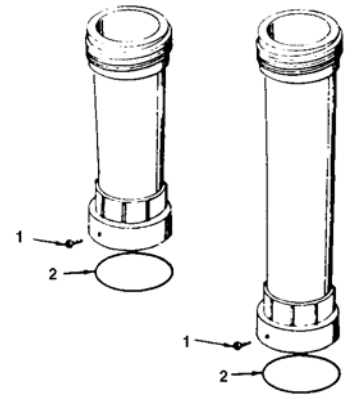


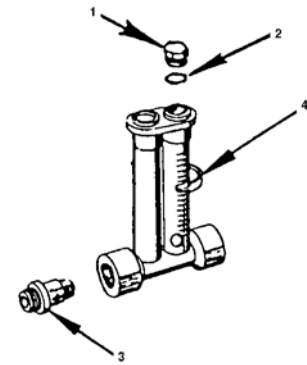
EXTENSIONS / DISPENSERS / FLOW INDICATORS

REPLACEMENT PARTS

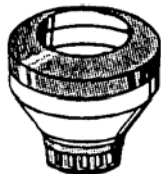
Item	Qty.	Part No.	Description
Order No.: R172087 10 IN. EXTENSION COMPLETE			
Order No.: R172283 20 IN. EXTENSION COMPLETE			
1	1	R172078	Lockscrew (bottom collar)
2	1	R172009Z	O-ring
Order No.: R172080Z Description: FLOW INDICATOR			
1	1	R172392	Access plug 1/4 in. MPT
2	1	R172393	O-ring
3	1	R172020	Check valve
4	1	R172235	Marker clip
Order No.: R172627 Description: CORROSION RESISTANT FLOW INDICATOR			
1	1	R172276	Commercial flow indicator
1A	1	R172313	1/2 in. Coupling (included with flow indicator)
2	1	R270422	1/2 in. x 90° Elbow FPT
3	1	R172272Z	1/2 in. x 90° NPT x tube fitting with nut
4	1	R172628	Saddle clamp with inlet fitting (threaded)
5	1	R172263Z	Saddle gasket
6	1	R172324	1/2 in. Corrosion resistant check valve. Tube x tube
Order No.: R171086 Model No.: 330 Description: FLOATING DISPENSER			
1	1	R18729B	Lid only (new style – fits 'B' body)
Order No.: R171130 Description: SPLASHER POOL/SPA DISPENSER			
1	1	R18902	Cap
Order No.: R171090 Model No.: 335 Description: SPA OR SMALL POOL FLOATING DISPENSERS			
1	1	R18855	Screen
1	1	R18819	Lock ring



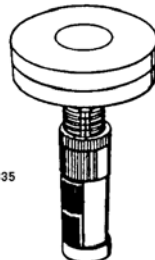
R172087 R172283



R172080Z



R171086

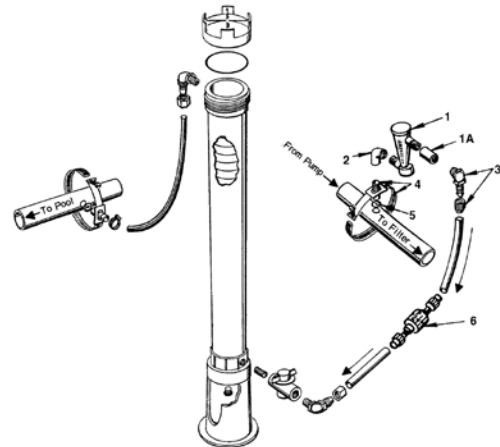


335



1
OPTIONAL
SCREEN

R171090



R172627

CALIFORNIA PROPOSITION 65 WARNING

⚠ **WARNING:** Cancer and Reproductive Harm.
 ⚠ **AVERTISSEMENT:** Peut Causer le Cancer et des Dommages au Système Reproducteur.
 ⚠ **ADVERTENCIA:** Cáncer y Daño Reproductivo.
www.p65warnings.ca.gov