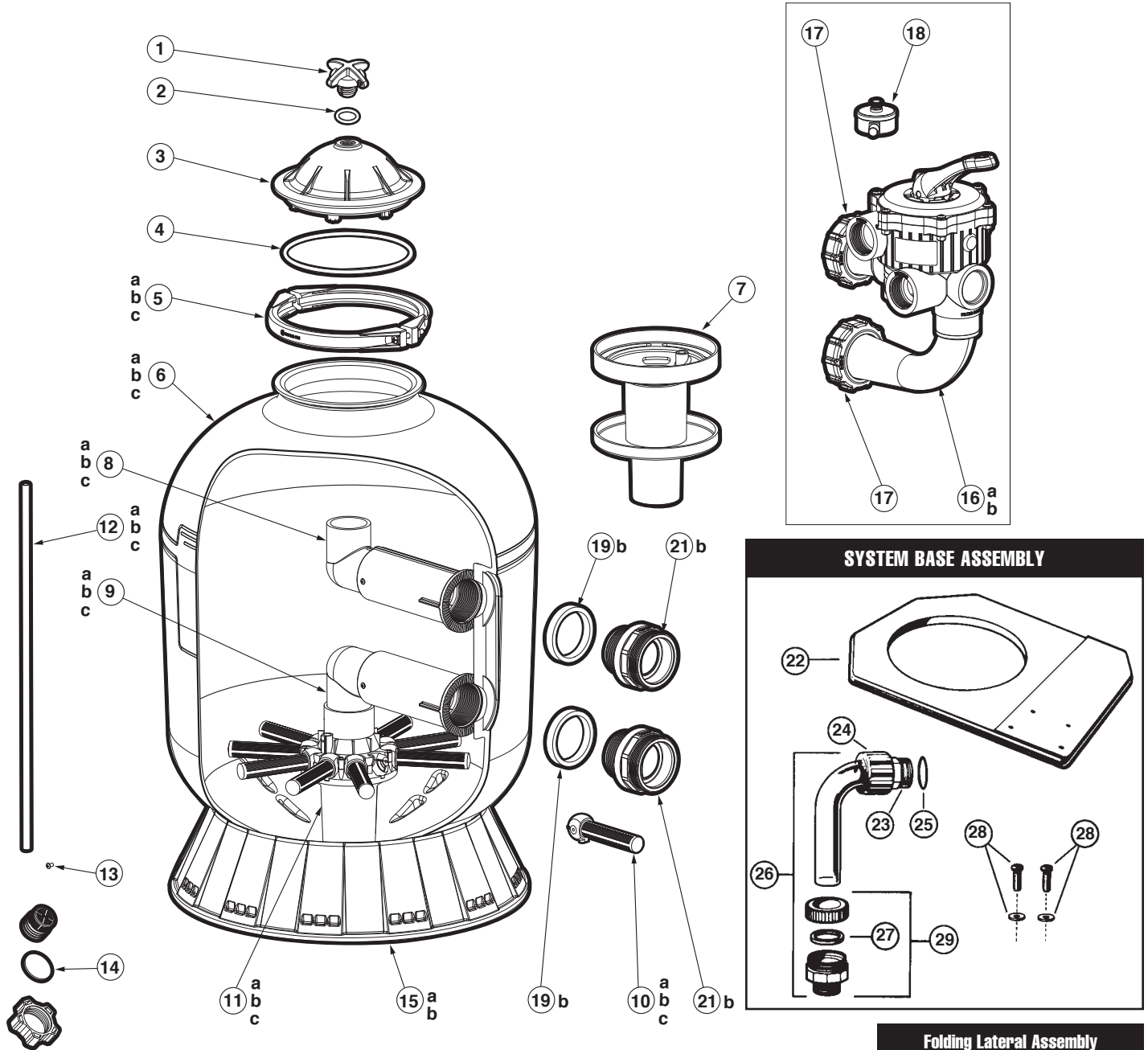


ProSeries™

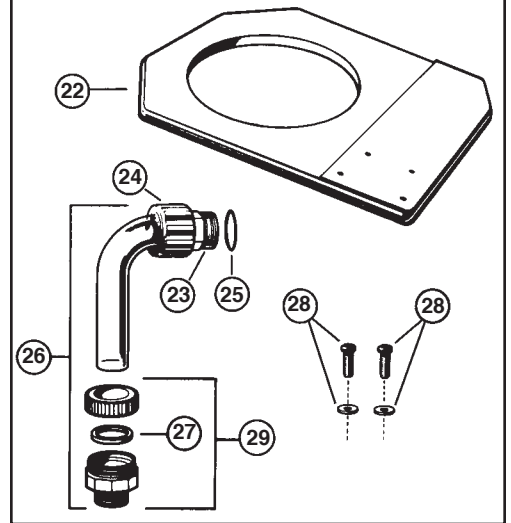
S210S, S244S, S310S SAND FILTER SERIES REPLACEMENT PARTS

Parts Diagram

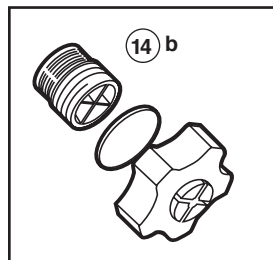
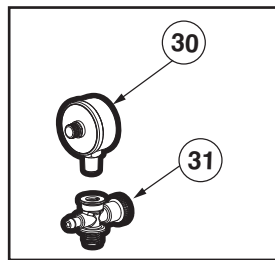
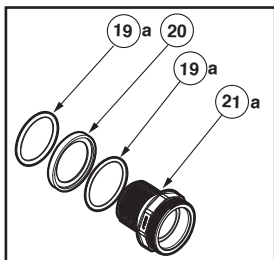
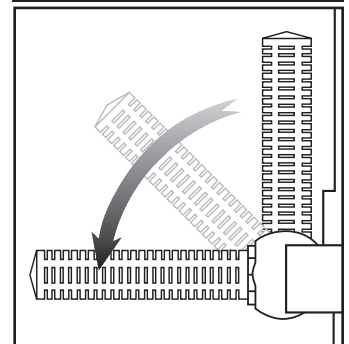
Filters



SYSTEM BASE ASSEMBLY



Folding Lateral Assembly



Drain Cap Kit

Diagram A

Parts Listing

Ref. No.	Part No.	Description	Ctn Qty.	No. Req'd
1	SX200G	Manual Air Relief	10	1
2	SX200Z5	O-Ring	50	1
3	SX244K	Top Closure Dome	5	1
4	GMX600F	Tank O-Ring	100	1
5a	GMX600NM	Flange Clamp (S210S, S244S)	20	1
5b	SX310N	Flange Clamp (S310S)	5	1
6a	SX210AA2FW	S210S Filter Tank with Drain Cap and Base	1	1
6b	SX244AA2FW	S244S Filter Tank with Drain Cap and Base	1	1
6c	SX310AA2FW	S310S Filter Tank with Drain Cap and Base	1	1
7	SX244G	Top Diffuser Assembly	5	1
8a	SX210CD1FW	Top Elbow Assembly, S210S	1	1
8b	SX244CD1FW	Top Elbow Assembly, S244S	2	1
8c	SX310CD2FW	Top Elbow Assembly, S310S	2	1
9a	SX210CD2FW	Bottom Elbow Assembly, S210S	5	1
9b	SX244CD2FW	Bottom Elbow Assembly, S244S	2	1
9c	SX310CD2FW	Bottom Elbow Assembly, S310S	2	1
10a	SX200QNPAAK10	S210S Pivot/Ball Lateral (Set of 10)	10	1
10b	SX240DNPAAK10	S244S Pivot/Ball Lateral (Set of 10)	10	1
10c	SX310HNPAK10	S310S Pivot/Ball Lateral (Set of 10)	10	1
11a	SX242MA	Folding Umbrella Lateral Holder Assembly (S210S, 1997-) See Diagram A	1	1
11b	SX242MA1	Folding Umbrella Lateral Holder Assembly (S244S, 1999-) See Diagram A	1	1
11c	SX242MA2	Folding Umbrella Lateral Holder Assembly (S310S, 1999-) See Diagram A	1	1
12a	CX3000Z2	Plastic Air Tube (S210S)	50	1
12b	CX1100Z4	Plastic Air Tube (S244S)	10	1
12c	SX200Z1	Plastic Air Tube (S310S)	1	1
13	SX200Z2	Air Tube Lock Screw	10	1
14a	SX180HG	Drain Cap Kit (2005 and Prior)	25	1
—	SX200H	Bottom Drain Screen (2005 and Prior)	10	1
14b	SX180LA	Drain Cap Kit (See Diagram)	25	1
15a	SX200J	Filter Support Stand (S210S, S244S)	1	1
15b	SX310J	Filter Support Stand (S310S)	1	1
16a	SP0710X62	Vari-Flo Valve Assembly – 1 1/2" FIP	1	1
16b	SP0715X62	Vari-Flo Valve Assembly – 2" FIP	1	1
17	SX200Z4PAK2	Valve/Union O-Ring (Set of 2)	25	1
18	ECX270861	Pressure Gauge	50	1
19a	SX360Z1	O-Ring	25	4
19b	SX244Z1	Square Seal	25	2
20	SX360E	O-Ring Spacer (after 1995)	10	2
21a	SX244P	Bulkhead Fitting (after 1996) – Replaced by SX244PX	10	2
21b	SX244PX	Bulkhead Fitting with Seal	10	2
S200PAK 3 System Base				
22	ECX1291	Standard Pump/Filter Mounting Base	1	1
23	SPX1480A	Union Ball End	10	1
24	SPX1480C	Union Nut	10	1
25	SPX1425Z6	O-Ring	25	1
26	SPX1485B3	Union Elbow with Compression Assembly	10	1
27	SPX1485G	Compression Gasket	1	1
28	ECX1161Z2	Mounting Screw Set with Washers	10	2
29	SPX1485DA	Compression Fitting with Gasket	25	1
Optional				
30	ECX270861	Pressure Gauge	50	1
31	DEX2400S	Relief Valve/Gauge Adapter Assembly	100	1