

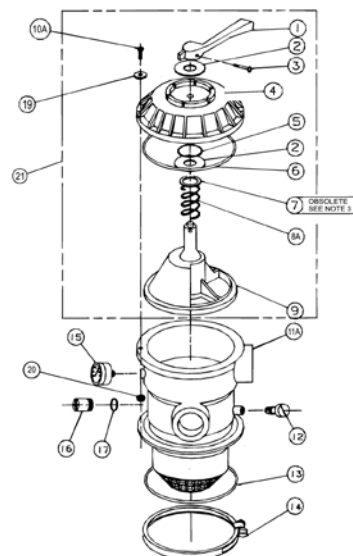
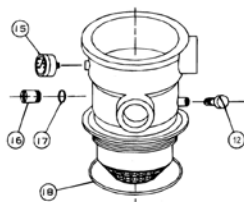
# SIX-WAY 1-1/2 IN. TOP MOUNT HIFLOW™ VALVES

## REPLACEMENT PARTS (PACFAB MULTIPOINT VALVES 262504, 262505, 262506)

### NOTE

- 1 VALVES MANUFACTURED BEFORE MARCH 1, 1993 DO NOT CONTAIN ITEM 16 SIGHT GLASS OR ITEM 17 SIGHT GLASS GASKET.
- 2 CLAMP STYLE VALVES MANUFACTURED BEFORE MARCH 1, 1993 CONTAIN A DIFFERENT AIR BLEEDER WITH O-RING P/N 272515. THIS PART IS NOT INTERCHANGEABLE WITH P/N 273512. THREADED VALVES MANUFACTURED BEFORE MARCH 1, 1993 DO NOT CONTAIN AN AIR BLEEDER WITH O-RING.
- 3 ITEM 8A USED ON VALVES MANUFACTURED AFTER MAY 1, 1992 AND REPLACES BOTH ITEMS 7 AND 8.
- 4 ITEMS 10A, 19 AND 20 ARE USED ON VALVES MANUFACTURED AFTER APRIL 15, 1994 AND REPLACE ITEM 10.

For (261130) 6 in.  
Buttress Style Valve For  
TA Filters



For (262504) (262505)(262506) Clamp Style Valve For TA-D Filters

CALIFORNIA PROPOSITION 65 WARNING  
 ⚠️ **WARNING:** Cancer and Reproductive Harm.  
 ⚠️ **AVERTISSEMENT:** Peut Causer le Cancer et des Dommages au Système Reproducteur.  
 ⚠️ **ADVERTENCIA:** Cáncer y Daño Reproductivo.  
[www.p65warnings.ca.gov](http://www.p65warnings.ca.gov) P65-2015-6

-Item No.	Part No.	Description
<b>6-WAY HIFLOW MULTIPOINT VALVES</b>		
1	272520	Handle
2	272505	Washer plastic, 2 req.
3	272405	Screw - handle
4	272599	Six-way valve label
5	272511	O-ring - diverter shaft
6	354053	O-ring - valve top
7	271193	Washer - s/s <sup>3</sup>
8	272400	Spring - comp. 100 lb. 1-13/16 o.d. <sup>3</sup>
8A	272535	Spring - comp. 100 lb. 1-3/8 o.d. <sup>3</sup>
9	272512	Diverter w/ gasket
10A	354541	Screw #10-24 hex pan head, 6 req. <sup>4</sup>
11A	272530	Valve body w/ diffuser - clamp style
12	273512	Air bleeder with O ring <sup>2</sup>
13	272541	O-ring - 3/16 in. x 4-5/8 in. i.d.
14	152165	Clamp
15	190059Z	Pressure gauge
16	272550	Sight glass <sup>1</sup>
17	271106	Gasket - sight glass <sup>1</sup>
18	154493	O-ring
19	272555	Washer - 9/16 s/s, 6 req. <sup>4</sup>
20	272554	Nut - #10-24 serrated flange s/s, 6 req. <sup>4</sup>
21	272531	HiFlow 1-1/2 in. top valve assy.