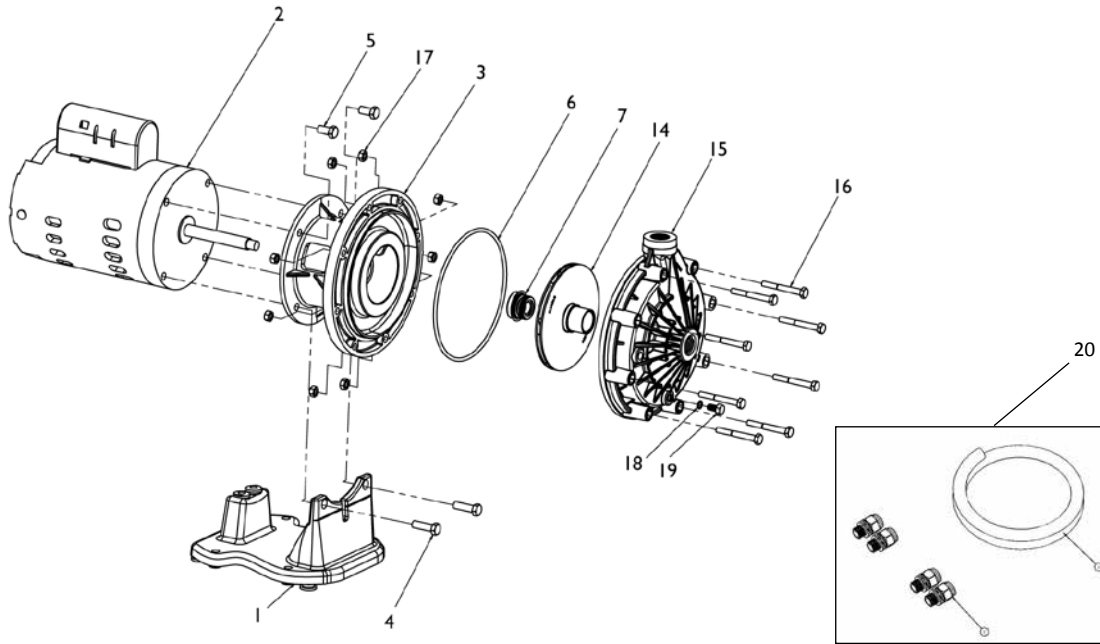


# BOOSTER PUMP REPLACEMENT PARTS



Item	Part No.	Qty.	Description
<b>BOOSTER PUMP</b>			
1	LA41	1	Pump stand 99, complete with rubber grommets
2	LA10NS	1	Motor, 230/115 V, 1 ph, 60 hz, 6.5/13 A
3	LA295 *	1	Seal bracket
4	LA136	2-PK	Bolt 3/8-16 x 1-1/4 in., 2 req.
5	LA135	2-PK	Bolt 3/8-16 x 3/4 in., 2 req.
6	LA415 *	1	O-ring for seal bracket
7	071734S	1	Seal (PS1000) - Set includes both cap and bellows
14	LA05L *	1	Impeller (new style)
14	LA02L	1	Impeller (old style)
15	LA39534 *	1	Volute
16	LA115	2-PK	Bolt
17	LA125	2-PK	Nut
18	LA375 *	1	O-ring for drain plug
19	EB20 *	2-PK	Drain plug
20	353020	1	Hose kit: 4 plastic fittings and 1-6 ft. white hose. (built after 2005)
<b>NOT SHOWN</b>			
	LD10	2-PK	Hose washer (built prior to 2005), steel with black hose
	370239	1	Adapter Kit - 4 hose adapters in a bag; no hose

\* Recommended for stock.

**Note: Pumps and replacement motors that are single speed and one (1) Total HP or greater cannot be sold, offered for sale, or installed in a residential pool for filtration use in California, Title 20 CCR sections 1601-1609.**

CALIFORNIA PROPOSITION 65 WARNING

⚠️ **WARNING:** Cancer and Reproductive Harm.  
 ⚠️ **AVERTISSEMENT:** Peut Causer le Cancer et des Dommages au Système Reproducteur.  
 ⚠️ **ADVERTENCIA:** Cáncer y Daño Reproductivo.

[www.p65warnings.ca.gov](http://www.p65warnings.ca.gov)