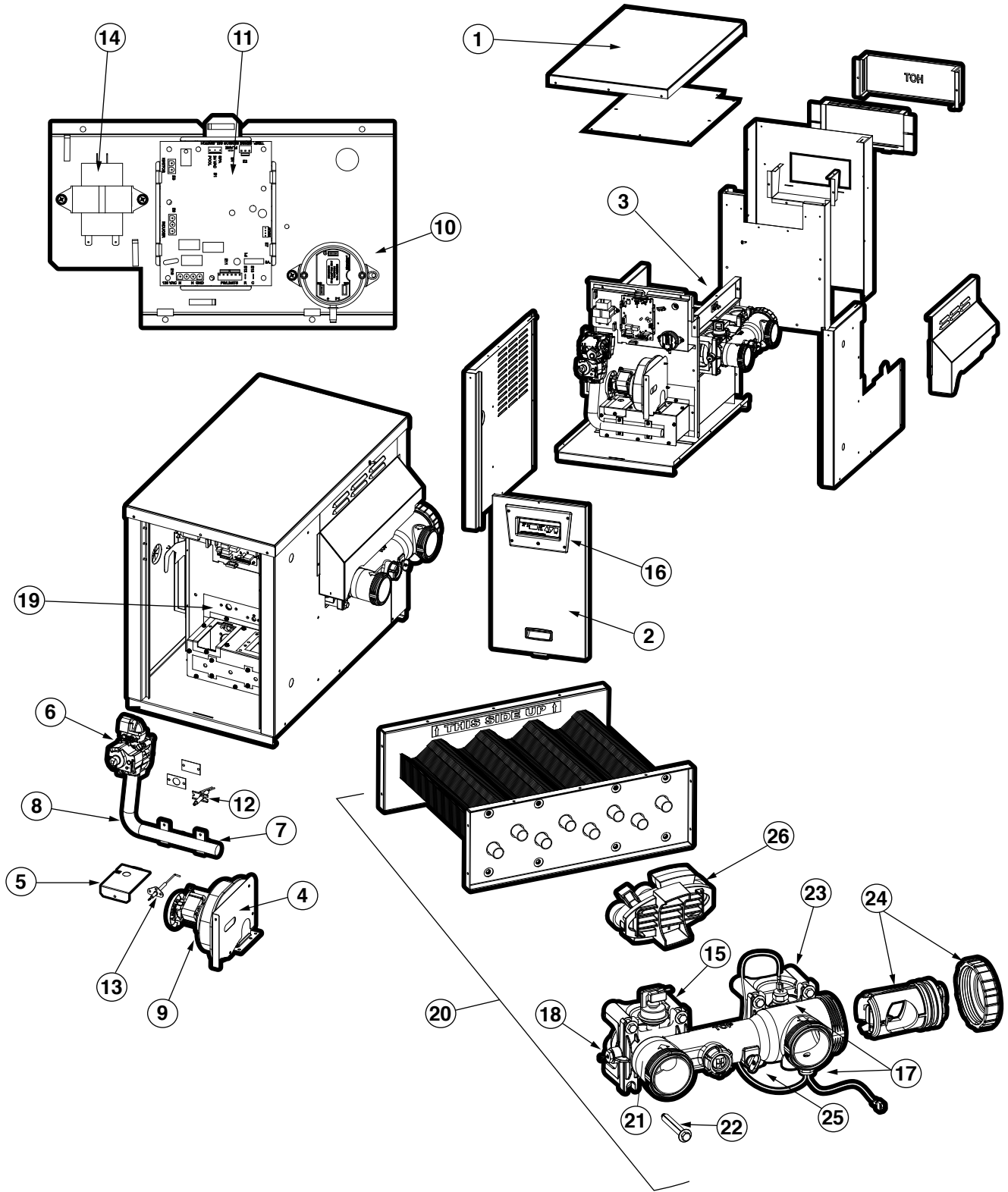


H-Series

ABOVE-GROUND – 135K BTU HEATER REPLACEMENT PARTS

Parts Diagram



Heating

Parts Listing

Ref. No.	Part No.	Description
1	IDXLJKT1135	Jacket Top – H135ID/ABG135
2	IDXLFAD1135P	Front Access Door Assembly – H135ID, Platinum – No Controls
	IDXLFAD1135B	Front Access Door Assembly – ABG135, Black – No Controls
3	FDXLFC1931	Flue Collector Side Panel without Temperature Limit
4	IDXLBBN1135	Blower Inlet Baffle – 135K BTU Heater
5	FDXLIAC1930	Igniter Access Cover
6	FDXLGSV0001	Gas Valve, Natural
	FDXLGSV0002	Gas Valve, Propane
7	IDXLBON1135	Burner Orifice Kit, Natural – 135K BTU Heater
	IDXLBOP1135	Burner Orifice Kit, Propane – 135K BTU Heater
8	FDXLGCK1135NP	Conversion Kit, NA to LP, Quick-Change – 135K BTU Heater
	FDXLGCK1135PN	Conversion Kit, LP to NA, Quick-Change – 135K BTU Heater
9	FDXLBWR1930	Combustion Blower
10	FDXLBVS1930	Blower Vacuum Switch
11	FDXLICB1930	Integrated Control Board
12	FDXLIGN1930	Ignitor
13	IDXLFLS1930	Flame Sensor
14	IDXLTRF1135	Transformer – 135K BTU Heater
15	FDXLWPS1930	Water Pressure Switch
16	IDXLBKP1135	Bezel and Keypad Assembly
17	FDXLHLI1930	High Limit Kit
18	FDXALTER1930	Thermistor
19	FDXLGSK1934	Gasket, CC Front/Air Box – All Models
20	FDXLHXA1150	Heat Exchanger Assembly – 135K BTU Heater
21	FDXLFHA1930	Inlet/Outlet Header Assembly
22	FDXLHDW1930	Header Hardware Kit
23	FDXLHMB1930	Header Mounting Base Kit
24	FDXLBKP1930	Bypass Cartridge Kit
25	SPX4000FG	Drain Plug With Gasket
26	FDXLPRM1930	Return Manifold Replacement Kit

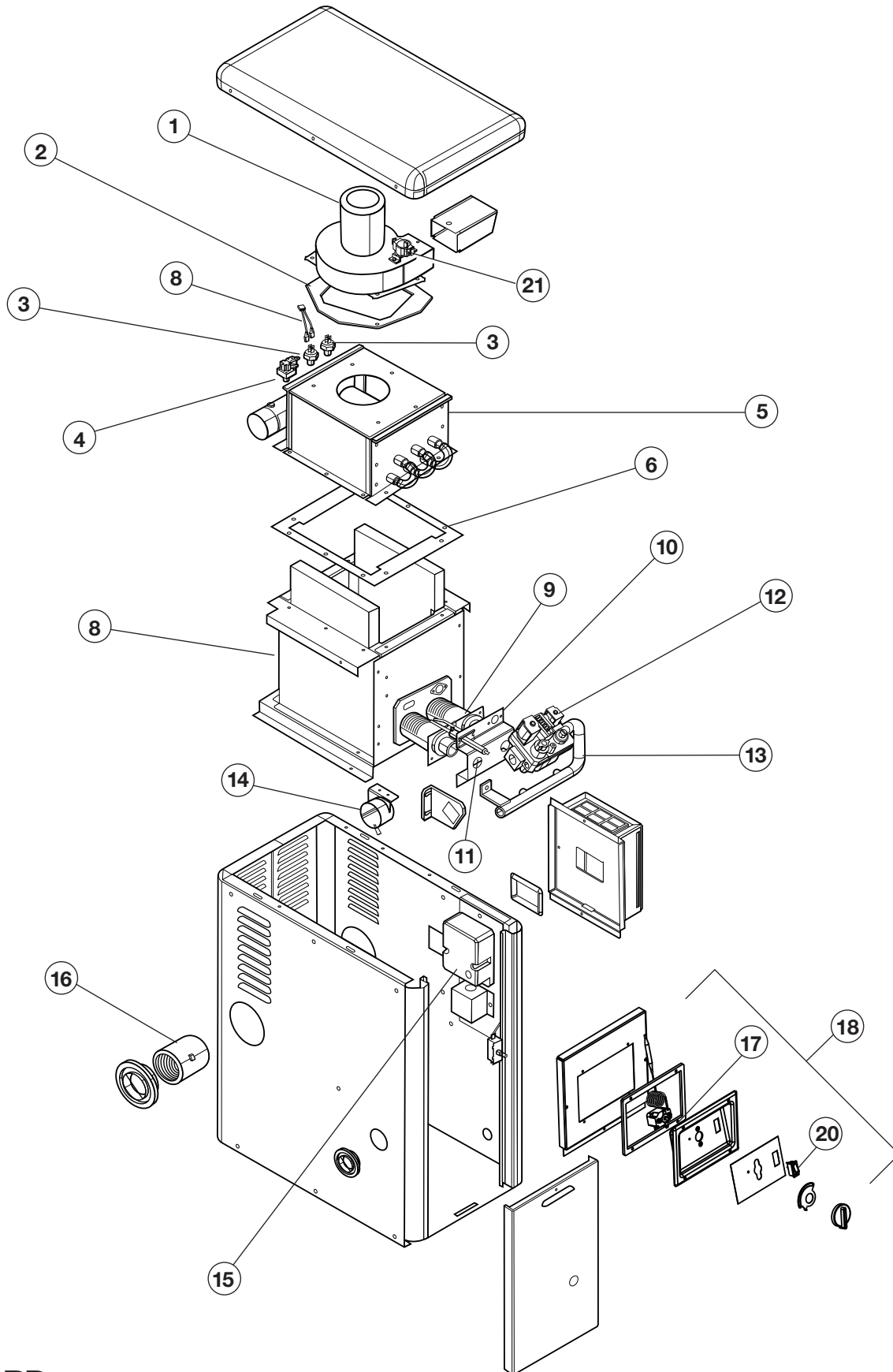
NOT PICTURED

—	CHXRLV1930	Pressure Relief Valve
—	IDXLGSK1135	Gasket Kit – 135K BTU Heater
—		Gasket, Flue Collector Side
—		Gasket, Blower Mounting
—		Gasket, Igniter Cover
—		Gasket, Cover/Air Box Front
—		Gasket, Manifold/Air Box
—	FDXLGSK1933	Insulation, Return Side Tube Sheet
—	FDXLBRN1931	Burner (Qty 1)
—	FDXLFOR1930	Header O-Ring Kit
—	FDXLEGL1930	Exhaust Gas Temperature Limit (One-Use)
—	IDXLWHA1135	Wiring Harness Kit, Complete
—	FDXLFSKC30	Fuse Kit, 3.0A, for Integrated Control Board (Qty 10)
—	IDXLUKT1135	Union Kit (Includes Fittings, Union Nuts, Gaskets)

H-Series

ABOVE-GROUND – INDUCED DRAFT HEATER REPLACEMENT PARTS

Parts Diagram



Heating

Parts Listing

Ref. No.	Part No.	Description	Ref. No.	Part No.	Description
1	IDXBWR1936 [†]	Combustion Blower	12	IDXVAL1931	Gas Valve
2	IDXBLG1930**	Blower Gasket	13	IDXMAN1100	Gas Manifold
	IDXBLG1931 ^{††}	Blower Gasket	14	IDXAPS1930	Air Pressure Switch
3	IDXHLC1930	Hi Limits, Kit	15	IDXMOD1930	Control Module with Ignitor
4	CZXPRS1105	Water Pressure Switch	16	IDXCPG1931	Coupling
5	IDXHXA1101**	Heat Exchanger Assembly	17	IDXTST1930	Thermostat
	IDXHXA1102 [†]	Heat Exchanger Assembly	18	IDXCPA1100	Control Panel Assembly
6	IDXGKT1930	Heat Exchanger Gasket	19	IDXFAD1101*	Front Access Door
7	IDXWHA1931*	Wire Harness	20	CHXTSW1930	On/Off Switch
8	IDXBRG1930	Burner Gasket	21	IDXBLS1930**	Blower Switch
9	IDXBNR1930	Burner		IDXBLS1931 [†]	Blower Switch
10	IDXAGK1930	Burner Orifice and Air Orifice Bracket Kit – Natural			CONVERSION KITS
	IDXAGK1931	Burner Orifice and Air Orifice Bracket Kit – Propane	—	IDXCNK1933	Natural to Propane
			—	IDXCNK1934	Propane to Natural
11	IDXIGN1930	Ignitor			

NOTES: *Used only on heaters made after January 2000, S/N 20A01209.

**Used only on heaters made before April 16, 2013, S/N 21131304101440001.

[†]Used only on heaters made after April 16, 2013, S/N 21131304101440001.