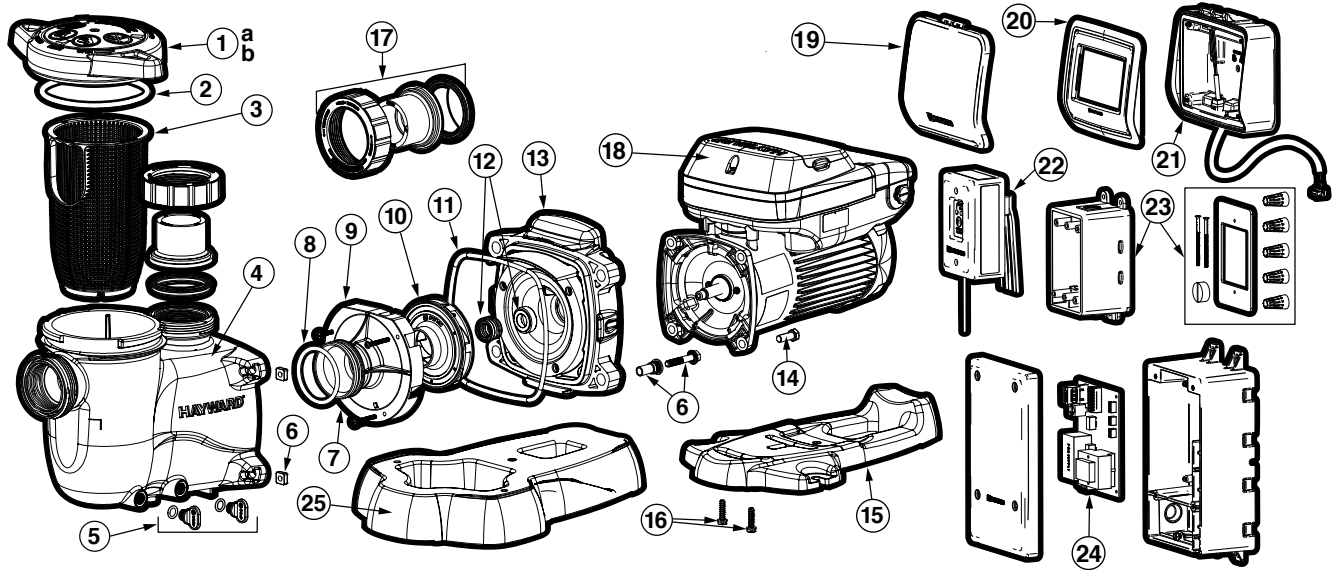


MaxFlo VS™ 500 Omni

VARIABLE-SPEED PUMP SERIES

Pumps

Parts for Pump Models: HL2350020VSP



| Ref. No. | Part No. | Description | Ctn. Qty. |
|----------|---------------|--|-----------|
| 1a | SPX2300DLS | Strainer Cover Kit (Includes Strainer Cover, Lock-Ring, O-Ring) | 10 |
| 1b | SPX2300DLSB | Strainer Cover Kit for Biguanide Sanitizers (Includes Strainer Cover, Lock-Ring, O-Ring) NOT Pressure Testable | 10 |
| 2 | SPX2300Z4 | Strainer Cover O-Ring | 50 |
| 3 | SPX2300M | Strainer Basket | 5 |
| 4 | SPX2300AA | Pump Strainer Housing with Drain Plugs | 1 |
| 5 | SPX4000FG | Drain Plug with O-Ring | 50 |
| 6 | SPX2700ZPAK | Hardware Pack (Includes 4 Housing Bolts, Seal-Plate Spacers and Square Nuts) | 10 |
| 7 | SPX2300Z3PAK3 | Diffuser Screws (3 pack) | 50 |
| 8 | SX220Z2 | Diffuser O-Ring | 10 |
| 9 | SPX2300B | Diffuser | 5 |
| 10 | SPX2300CVS | Impeller | 10 |
| 11 | GMX600F | Housing O-Ring | 100 |
| 12 | SPX2700SAV | Viton® Shaft Seal Assembly | 10 |
| 13 | SPX2300E | Seal Plate | 5 |
| 14 | SPX3200Z5PAK4 | Motor Bolt (4 pack) | 50 |
| 15 | SPX2300G | Motor Support with Base Mount Screws | 5 |
| 16 | SPX1600Z52 | Motor Support Base Mount Screws | 1 |
| 17 | SPX2700UNKIT | Union Connector Kit (Includes 2 Nuts, Connectors, Gaskets) | 10 |
| 18 | SPX3400DR4 | Motor Drive Display Cover (Cover only) | 5 |
| 19 | HLXDCOVER | Sun Cover Replacement | 5 |
| 20 | HLXDLCD | LCD Disp Replacement | 5 |
| 21 | HLXDSPCASE | Case Replacement | 1 |
| 22 | HLX485RELAY | Replacement RS485 Relay | 1 |
| 23 | HLXJBOX | Replacement Jbox | 1 |
| 24 | HLXHIOPCB | OmniHub PCB | 1 |
| — | SPX3200LCD | Digital Control Interface Assembly | 1 |
| — | SPX3400DRKIT | Wall Mount Kit | 5 |
| — | HLH485RELAY | Omni RS485 Smart Relay | 1 |
| — | HLX485100 | RS485 100 ft. Extension | 15 |
| — | HLX485200 | RS485 200 ft. Extension | 5 |
| — | HLXHW5PK | OmniHub Hardware - Not Shown (5 pack) | 10 |
| — | HLXWHIP6 | Omni 6 ft. Whip - Not Shown | 5 |
| — | HLXRLYLABL | Replacement Relay Label | 10 |

OPTIONAL

| | | | |
|----|-----------|---|---|
| 25 | SPX2300GR | Optional Riser Base Aligns with Sta-Rite® Dyna-Pro® | 1 |
|----|-----------|---|---|

POWER END

| | | | |
|---|----------------|---|---|
| — | SPX26115Z1VSPE | Power End Assembly for SP26115VSP (Includes #7-14, Motor and Drive) | 1 |
| — | SPX2603Z1VSPE | Power End Assembly for SP2603VSP (Includes #7-14, Motor and Drive) | 1 |

HAYWARD