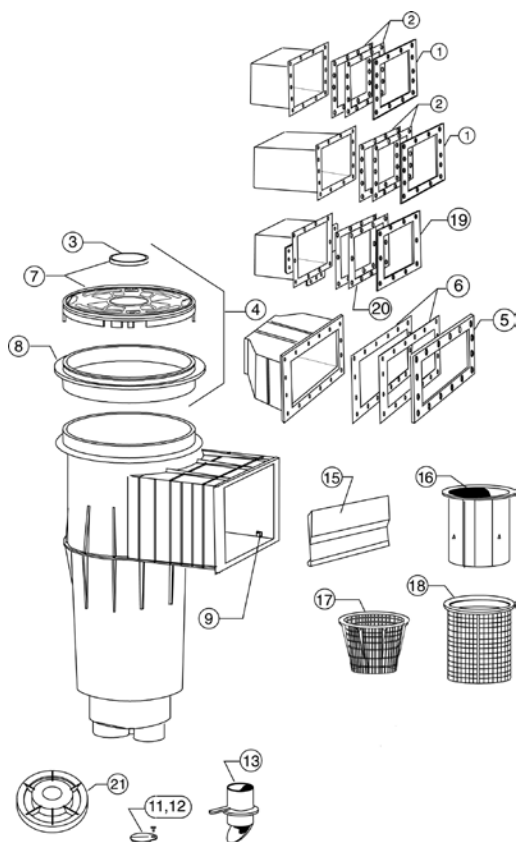


ADMIRAL™ SKIMMERS

REPLACEMENT PARTS



Item	Part No.	Description
ADMIRAL SKIMMERS		
1	85004200	Frame, sealing liner, white std. 12 hole pattern
1	85004211	Frame, sealing liner, black std. 12 hole pattern
1	85004213	Frame, sealing liner, gray std. 12 hole pattern
2	85001600	Gasket set, liner, std. 12 hole pattern
3	510161	Disk, logo
4	85000400	Lid/ring seat, complete, white
4	85000411	Lid/ring seat, complete, black
4	85018000	Lid/ring seat, complete, tan
5	85007600	Frame, sealing liner, wide mouth, white
6	85007700	Gasket, sealing liner, wide mouth (2), white
7	85007400Z	Lock down lid, white
7	85007411	Lock down lid, black
7	85007413	Lock down lid, gray
7	85007430	Lock down lid, tan
8	85000600	Ring seat only, 9 in. diameter, white
8	85017900	Ring seat only, 9 in. tan
9	85017500	Pivot tab for flap weir

Item	Part No.	Description
11	85002400	Trimmer valve plate, residential
12	98204400	Screw for trimmer plate, 10-24 x 1/2 in.
13	85002600	Vari-flo control insert only
15	85001500	Flap weir
16	R38013B	Floating weir, circular
17	85014500	Basket, tapered
17	85014600	Basket, tapered (S-20 Model Only)
18	R38013AZ	Basket, for floating weir
19	85000300	Frame, liner, American 10 hole pattern
20	81111800	Gasket set, large 10 hole pattern, w/ dbl. wall
20	81111700	Gasket set, large 10 hole pattern, w/o dbl. wall
21	85015200	Equalizer assembly
NOT SHOWN		
	98202600	Screw, sealing ¹
	98202700	Screw, sealing ¹
	98202900	Screw, sealing ²
	98207200	Screw, sealing ²
	98203000	Screw ²
	85008500	Screw kit, American 10 hole pattern
	85008600	Screw kit, American 10 hole pattern, extra long
	85008700	Screw kit, std. 12 hole pattern
	85008800	Screw kit, std. 12 hole pattern, extra long
	85015100	O-ring, skimmer bottom
	355330	O-ring, equalizer
	85016600Z	Rubber stopper, flap weir
	98213000	Screw, 8-32 x 5/8 in. commercial lid
	98208500	Washer, gum commercial lid
	85014700	Handle, basket
	85007200	Angle bracket
	85012800	Track-VF skimmer
	85014200	Trimmer, equalizer
	85009500	Skimmer Lid (Old Style)

¹ Used on skimmers manufactured before 2-1-76.

² Used on skimmers manufactured after 2-1-76.

CALIFORNIA PROPOSITION 65 WARNING

▲ **WARNING:** Cancer and Reproductive Harm.
▲ **AVERTISSEMENT:** Peut Causer le Cancer et des Dommages au Système Reproducteur.
▲ **ADVERTENCIA:** Cáncer y Daño Reproductivo.

www.p65warnings.ca.gov. PR02071A

Product on pages 276–277.

Replacement baskets on page 150.