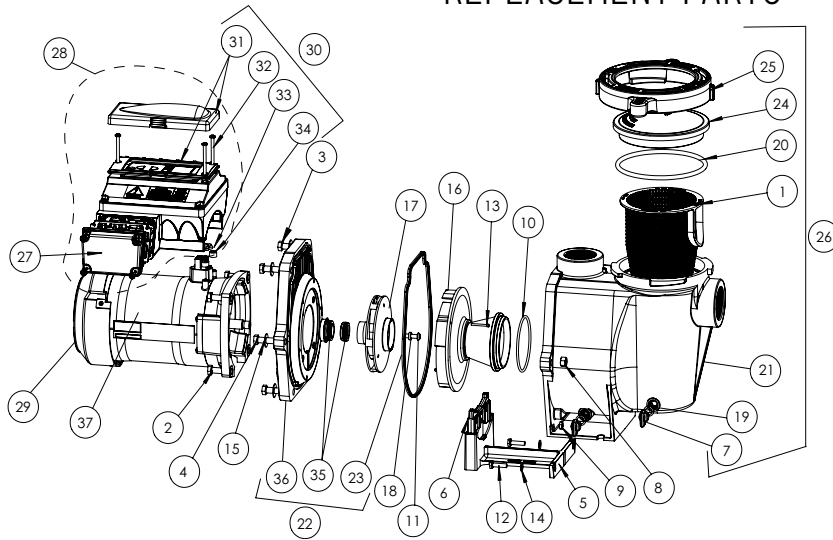


INTELLIFLO® VF PUMP

REPLACEMENT PARTS



CALIFORNIA PROPOSITION 65 WARNING
 ⚠️ **WARNING:** Cancer and Reproductive Harm.
 ⚠️ **AVERTISSEMENT:** Peut Causer le Cancer et des Dommages au Système Reproducteur.
 ⚠️ **ADVERTENCIA:** Cáncer y Daño Reproductivo.
 www.p65warnings.ca.gov. P/N20171A

Item	Part No.	Description
INTELLIFLO VF PUMP		
1	070387Z	Basket WF
2	070429Z	Bolt, 3/8-16 X 7/8 SS Hex Head 18-8, 4 req.
3	070430	Bolt, 3/8-16 x 1-1/4 hex cap 18-8 S/S, 4 req.
4	070431	Bolt, 3/8-16 x 2 hex cap 18-8 S/S, 2 req.
5	070927	Foot WF, pump motor support, almond
6	070929	Foot insert WF pump, almond
7	071131Z	Plug drain WFE, almond, (2 req.)
8	071403	Nut, 3/8-16 brass nickel plated, 2 req.
9	071406	Nut, 1/4-20 hex S/S, 2 req.
10	355227Z	O-ring #238, 3.484 x .139, buna N 70
11	071652Z	Screw, 1/4, 20 x 1 LH phillips pan MS 18-8 S/S, 1 req.
12	071657Z	Screw, 1/4-20 x 1 in. hex cap 18-8 S/S, 2 req.
13	071660Z	Screw set, 4-40 x 1-1/8 WFE sckt cap 18-8 S/S, 2 req.
14	072183	Washer, flat 1/4 x 5/8 20GA thick 18-8 S/S, 2 req.
15	072184	Washer, 3/8 ID x 7/8 OD .05 thick 18-8 S/S, 6 req.
16	072928	Diffuser assembly, black
17	073131	Impeller, IntelliFlo
18	075713	Rubber washer, WFE pump, 1 req.
19	192115Z	O-ring 112, .487 x .103 buna -N 70, 2 req.
20	350013Z	O-ring lid CH/WF 2-436, 1 req.
21	350015	Housing WFE, almond
22	350202	Seal plate kit, almond w/ gasket (Items 23, 35, 36)
23	357100Z	Black Gasket for Seal plate
23	357102Z	Almond Gasket for Seal plate
24	357151	Lid, see thru WF.
24	357156	Lid, Chemical Resistant
25	357199	Clamp cam & ramp WF, almond
26	357243	Pot WF assy., almond (contains 1, 7 (qty. 2), 19 (qty. 2), 20, 21, 24, 25

Item	Part No.	Description
27	350621	Junction Box Cover - Almond
28	350721	Drive IntelliFlo VF assy. kit, almond (contains drive VF, control cover assy.)
29	352401	Motor fan kit, almond (contains fan, shroud, hardware).
30	350601	Drive Control Cover assembly kit, almond (contains drive lid, screws, spacer caps, items 31, 32 (qty. 3), 33, 34 (qty. 3) ¹)
30	400100	Drive Control Cover assembly kit, almond (contains drive lid, screws, spacer caps, items 31, 32 (qty. 3), 33, 34 (qty. 3) ²)
31	350082	Control cover assembly (not sold individually - order item assy. kit item #30)
32	350107	Screw 10-24 x 3/4 in. PH MS 18-8 s/s (qty. 3)
33	350108	IntelliFlo drive gasket
34	350142	Spacer cap (qty. 3)
35	071734S	Seal Kit
	071732S	Mechanical Seal (ozone/salt resistant)
36	074564Z	Seal Plate - Almond
37	350105S	Motor VFD 3.2KW PMSM replacement, almond
NOT SHOWN		
	070112	Power end IntelliFlo VF (Contains items 2 (qty. 4), 10, 11, 13, 15, 16, 17, 18, 19, 22, 28, 37)
	350122	50 ft. Communication Cable
	357149	Almond Volute/Seal plate Replacement Kit (Items 1, 7 (Qty 2), 19 (Qty 2), 20, 21, 22, 23, 24, 25)
	350612	Hardware/gasket assy. kit (contains 3 screws, 3 spacer caps and drive gasket)
	357603	Union Kit (contains 2 complete unions for one pump, not included with pump).
	356198	WhisperFlo/IntelliFlo Quick Kit (includes 36, 32, 25, 6(x2), 3, and 28)
	350199	Seal Plate Kit (ozone/salt resistant)

¹ Used on pumps manufactured before 12/28/11

² Used on pumps manufactured after 12/28/11