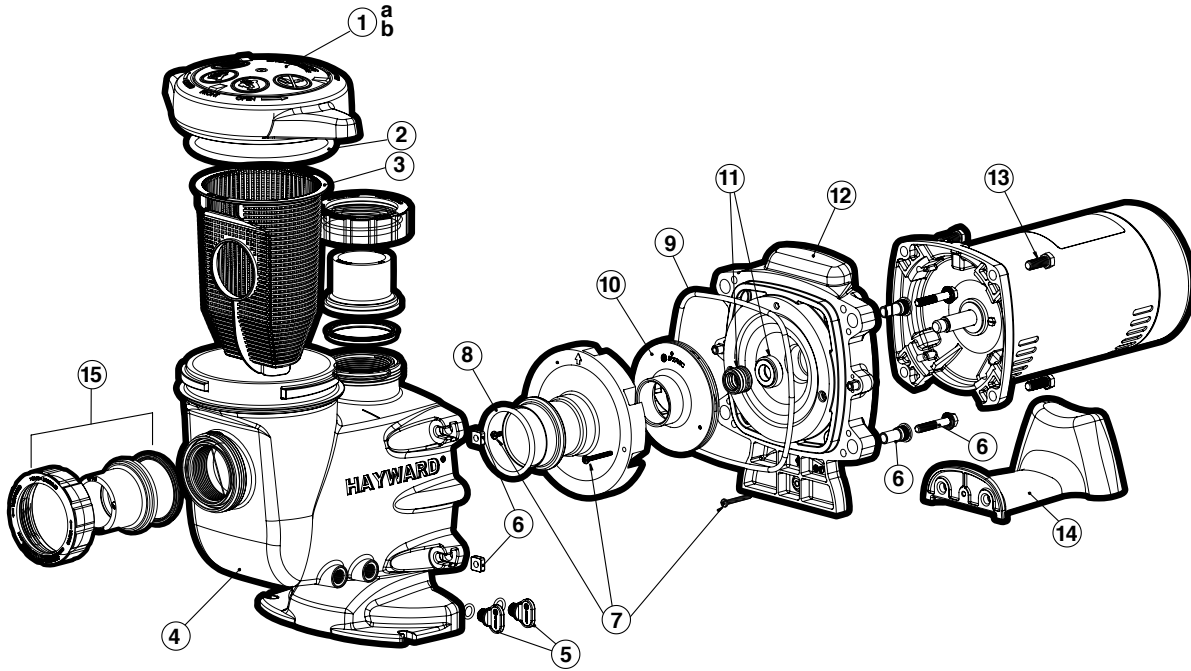


MaxFlo II™

SP2700X SERIES (MAX-RATED) REPLACEMENT PARTS

Pumps

Parts for Pump Models: SP2705X7(EE), SP2707X10(2), SP2710X15(2), SP2715X20(2)



Ref. No.	Part No.	Description	Ctn. Qty.
1a	SPX2700DLS	Strainer Cover Kit (Includes Strainer Cover, Lock-Ring, O-Ring)	10
1b	SPX2700DLSB	Strainer Cover Kit for Biguanide Sanitizers (Includes Strainer Cover, Lock-Ring, O-Ring) NOT Pressure Testable	10
2	SPX2700Z4	Strainer Cover O-Ring	50
3	SPX2700M	Strainer Basket	5
4	SPX2700AA	Pump Strainer Housing (Includes Strainer Cover Assembly, Basket and Drain Plugs)	1
5	SPX4000FG	Drain Plug with O-Ring	50
6	SPX2700ZPAK	Housing Hardware Kit (Includes 4 Housing Bolts, Spacers and Nuts)	10
7	SPX2700Z3	Diffuser Screw Kit (Pack of 5)	50
8	SX220Z2	Diffuser O-Ring	10
9	GMX600F	Housing O-Ring	100
11	SPX2700SA	Shaft Seal Assembly	10
12	SPX2700EKIT	Seal Plate and Diffuser Kit	1
13	SPX3200Z5	Motor Bolt	50
14	SPX2700G	Motor Support	5
OPTIONAL			
15	SPX2700UNKIT	Union Connector Kit (Includes 2 Nuts, Connectors, Gaskets)	10
—	SPX3200UG	Union Gasket (Pack of 2)	100

Parts listed below must be ordered for specific model and H.P.

10	SPX2700C	Impeller for 3/4 H.P.	10
10	SPX2707CM	Impeller for 1 H.P.	10
10	SPX2710CM	Impeller for 1 1/2 H.P.	10
10	SPX2715CM	Impeller for 2 H.P.	10

MOTORS

SPX2705Z1M	Motor, 3/4 H.P., Threaded Shaft (Single Phase, 60 Cycle, 115/208-230V)	1
SPX2705Z1ME	Motor, 3/4 H.P. Energy Efficient, Threaded Shaft (Single Phase, 60 Cycle, 115/208-230V)	1
SPX2707Z1M	Motor, 1 H.P., Threaded Shaft (Single Phase, 60 Cycle, 115/208-230V)	1
SPX2710Z1M	Motor, 1 1/2 H.P., Threaded Shaft (Single Phase, 60 Cycle, 115/208-230V)	1
SPX2715Z1ME	Motor, 2 H.P., Threaded Shaft (Single Phase, 60 Cycle, 115/208-230V)	1
SPX2707Z2M	Motor, 1 H.P., 2-Speed, Threaded Shaft (Single Phase, 60 Cycle, 230V)	1
SPX2710Z2M	Motor, 1 1/2 H.P., 2-Speed, Threaded Shaft (Single Phase, 60 Cycle, 230V)	1
SPX2715Z2M	Motor, 2 H.P., 2-Speed, Threaded Shaft (Single Phase, 60 Cycle, 230V)	1