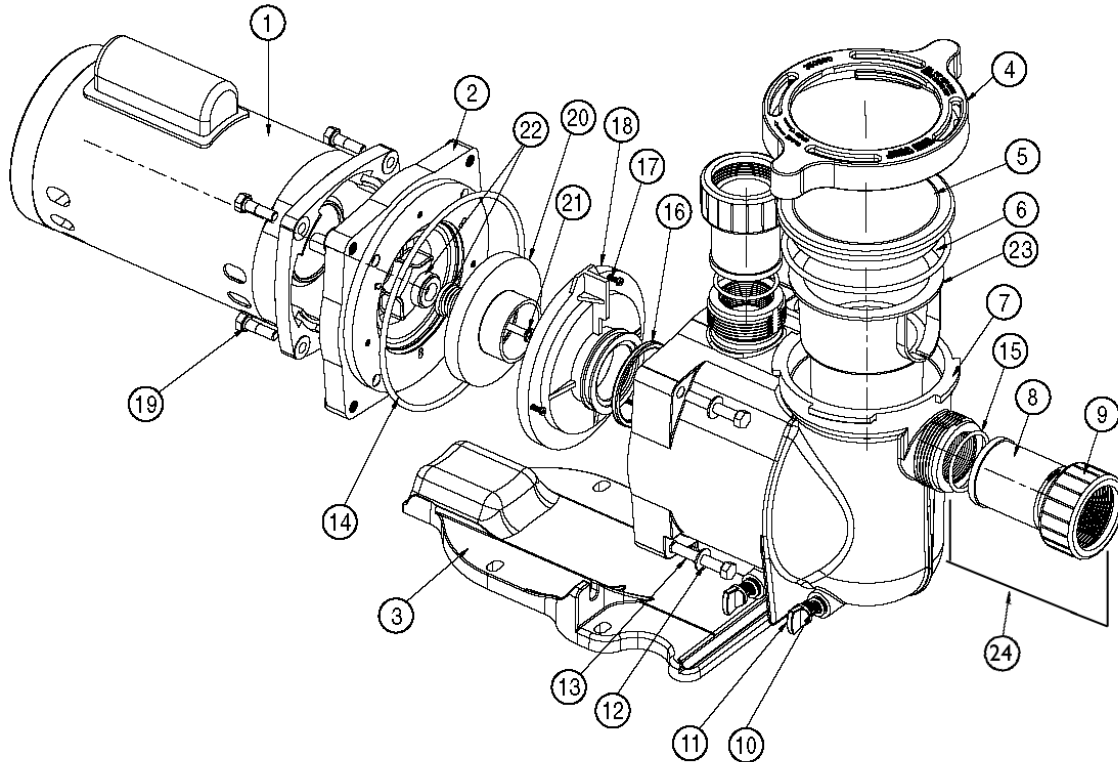


# SUPERFLO® PUMP REPLACEMENT PARTS



Item	Part No.	Description	US List	Can. List
<b>SINGLE SPEED SUPERFLO MOTORS</b>				
1	354803S	3/4 HP Motor, 1SP, 1PH, TEFC 115/208-230	CALL	CALL
1	354821S	1 HP Motor, 1SP, 1PH, TEFC 115/208-230	CALL	CALL
1	354823S	1-1/2 HP Motor, 1SP, 1PH, TEFC 208-230	CALL	CALL
1	354815S	2 HP Motor, 1SP, 1PH, TEFC 208-230	CALL	CALL
1	355018S	1/2 HP Motor SQFL, 1 Speed, 1 phase, 115/208-230, 60 Hz, almond	CALL	CALL
1	355018S	3/4 HP Motor SQFL, 1 Speed, 1 phase, 115/208-230, 60 Hz, almond	CALL	CALL
1	355020S	1 HP Motor SQFL, 1 Speed, 1 phase, 115/208-230, 60 Hz, almond	CALL	CALL
1	355022S	1-1.2 HP Motor SQFL, 1 Speed, 1 phase, 115/208-230, 60 Hz, almond	CALL	CALL
1	355024S	2 HP Motor SQFL, 1 Speed, 1 phase, 115/208-230, 60 Hz, almond	CALL	CALL
1	355026S	2-1/2 HP Motor SQFL, 1 Speed, 1 phase, 208-230, 60 Hz, almond	CALL	CALL

Item	Part No.	Description	US List	Can. List
<b>2 SPEED SUPERFLO MOTORS</b>				
1	355003S	1 HP Motor SQFL, 2 Speed, 1 phase, 60 Hz	CALL	CALL
1	356630S	1-1/2 HP Motor SQFL, 2 Speed, 1 phase, 60 Hz	CALL	CALL
1	071320S	2 HP Motor SQFL, 2 Speed, 1 phase, 60 Hz	CALL	CALL
<b>ENERGY EFFICIENT SUPERFLO MOTORS</b>				
1	355008S	1/2 HP Motor SQFL, 1 Speed, 1 phase, 60 Hz, 115/208-230, almond	CALL	CALL
1	355008S	3/4 HP Motor SQFL, 1 Speed, 1 phase, 60 Hz, 115/208-230, almond	CALL	CALL
1	355008S	1 HP Motor SQFL, 1 Speed, 1 phase, 60 Hz, 115/208-230, almond	CALL	CALL
1	355010S	1.5 HP Motor SQFL, 1 Speed, 1 phase, 60 Hz, 115/208-230, almond	CALL	CALL
1	355012S	2 HP Motor SQFL, 1 Speed, 1 phase, 60 Hz, 208-230, almond	CALL	CALL
1	355014S	2.5 HP Motor SQFL, 1 Speed, 1 phase, 60 Hz, 208-230, almond	CALL	CALL

CALIFORNIA PROPOSITION 65 WARNING  
 ⚠️ **WARNING:** Cancer and Reproductive Harm.  
 ⚠️ **AVERTISSEMENT:** Peut Causer le Cancer et des Dommages au Système Reproducteur.  
 ⚠️ **ADVERTENCIA:** Cáncer y Daño Reproductivo.  
[www.p65warnings.ca.gov](http://www.p65warnings.ca.gov)

**Note: Pumps and replacement motors that are single speed and one (1) Total HP or greater cannot be sold, offered for sale, or installed in a residential pool filtration use in California, Title 20 CCR sections 1601-1609.**